



## XING FENG ELECTRONIC

- **Our Address**

No. 9 Changgan Road, Xin'ao Industrial Zone, Hongqiao, Leqing, Zhejiang, China

- **Phone Number**

+86-577 61382998 +86-18257725026

- **E-Mail Address**

export@xfdzele.com

# PRODUCT SELECTION MANUAL



Professional Water Solenoid Valve Leader

[www.xfdzele.com](http://www.xfdzele.com)



# WHO WE ARE

XFDZ 21 Years dedicated in providing water solution for Farm, garden ,public washroom.

Founded in May 2002 and headquartered in Yueqing, Wenzhou, Zhejiang Province, Yueqing Xingfeng Electronics Factory specializes in the R&D, design, manufacturing and global sales of solenoid valves, home irrigation, gardening and living products, irrigation water treatment and water control products, as well as Internet of Things (IoT) intelligent application products. The company employs more than 200 people, including more than 20 R & D personnel, is a R & D innovation-driven science and technology-based manufacturing enterprises.

Over the years, Xingfeng Electronics has continuously increased investment in researching big data and IoT technology, independently designed and built a smart agricultural irrigation cloud platform (4G/LoRa), which has been successfully launched on the Android platform for irrigation smart App applications, and has been widely used in governmental agricultural irrigation projects and smart agriculture fields. The company's production base is located in Yueqing, Wenzhou City, Zhejiang Province, with 20,000 square meters of modern industrial plant. Under the R & D technology center, CNC high-precision numerical control workshop, mold injection workshop, stamping workshop, electronic assembly workshop, finished product packaging workshop. The annual production capacity is more than 5 million sets of water control valves, water filters and water treatment systems.

**20**  
YEARS

**612**  
PRODUCTS

**465**  
SATISFIED CLIENT

[www.xfdzele.com](http://www.xfdzele.com)



QUALITY GUARANTEE



AFTER-SALE GUARANTEE



EFFORT AND INNOVATION





**Create excellent quality**

Xing feng and insist on techonlogical innovation has been followed, relying on the scale and professional brand service, constantly bigger and stronger.



# PSV-63

本产品主要作为主管道系统中流体的导通和截止，还可以配合调压导阀来实现管道中流体流量、压力的调节，满足不同的使用需求。主材采用尼龙材质，适用于不同应用环境，如野外和室内。工作介质为水和水液混合物。

This product is mainly used for the conduction and shut-off of fluids in the main pipeline system, and can also be used in conjunction with pressure regulating valves to regulate fluid flow and pressure in pipelines, meeting different usage needs. The main material is made of nylon, suitable for different application environments, such as outdoor and indoor. The working medium is a mixture of water and liquid.



## 功能和优点

- ◆ Y型阀全通式流道设计，水损小，过流量大，节约能耗。
- ◆ 内置管路式三通道水力控制，高可靠性，抗堵塞性能优良，无外置管路，耐用度高，内置过滤网容易清洗，保养简单，无易损件。
- ◆ S型阀芯膜片采用EPDM+复合纤维，耐高压性能、耐候性、耐高温老化、耐低温性能均优异。
- ◆ 主材采用PA6+30%增强纤维，耐高压水性能达到2.5Mpa以上，防紫外线和高温暴晒，性能不变。
- ◆ 控制器采用手动/自动两种模式，内置锁死机械，采用微电机齿轮驱动，高可靠性，可拆式防水结构，维护简单方便，使用寿命大大延长，达到10年以上。

## Features and Benefits

1. The Y-shaped valve is designed with a full flow channel, which has low water loss, high flow rate, and saves energy consumption.
2. Built in pipeline type three channel hydraulic control, high reliability, excellent anti clogging performance, no external pipelines, high durability, built-in filter screen easy to clean, simple maintenance, and no vulnerable parts.
3. The S-type valve core diaphragm adopts EPDM+composite fiber, which has excellent high pressure resistance, weather resistance, high temperature aging resistance, and low temperature resistance.
4. The main material is made of PA6+30% reinforced fibers, with a high pressure water resistance of over 2.5Mpa, UV protection and high temperature exposure, and unchanged performance.
5. The controller adopts two modes, manual/automatic, with built-in locking mechanism and micro motor gear drive, high reliability, detachable waterproof structure, simple and convenient maintenance, and greatly extended service life, reaching more than 10 years.

## 应用场景:

农业大田灌溉、温室大棚灌溉、沙漠绿化灌溉、工业水处理排放、市政供水、消防供水等。

Agricultural field irrigation, greenhouse irrigation, desert greening irrigation, industrial water treatment and discharge, municipal water supply, consumer water supply, etc.

## 技术数据

- ◆ 口径：2"
- ◆ 控制电压：
  - 1、AC/DC 12-24V 电流：< 1A
  - 2、脉冲电压：DC 3-12V  
脉冲宽度：80-200ms  
脉冲电流：1.5A~0.8A
- ◆ 经济流量：10-40吨/小时。
- ◆ 最小工作压力：0.03Mpa
- ◆ 最大工作压力：1.0Mpa
- ◆ 极限压力：2.5Mpa
- ◆ 安装环境温度：-30 —70
- ◆ 工作介质温度：0.5 —60
- ◆ 阀门工作状态反馈：
  - A：开关信号输出
  - B：流量（频率）压力信号（模拟电压）输出
- ◆ 电器接口：防水接头/两芯22AWG电缆线。
- ◆ 防水等级：IP68

## Technical Data

- ◆ Caliber: 2"
- ◆ Control voltage:
  - AC/DC 12-24V current: < 1A
  - Pulse voltage: DC 3-12V
  - Pulse width: 80-200ms
  - Pulse current: 1.5A~0.8A
- ◆ Economic flow: 10-40 tons/hour.
- ◆ Minimum working pressure: 0.03Mpa
- ◆ Maximum working pressure: 1.0Mpa
- ◆ Ultimate pressure: 2.5Mpa
- ◆ Installation environment temperature: -30 —70
- ◆ Working medium temperature: 0.5 —60
- ◆ Feedback on valve working status:
  - Switch signal output
  - Flow (frequency) pressure signal (analog voltage) output
- ◆ Electrical interface: waterproof connector/two core 22AWG cable.
- ◆ Waterproof rating: IP68

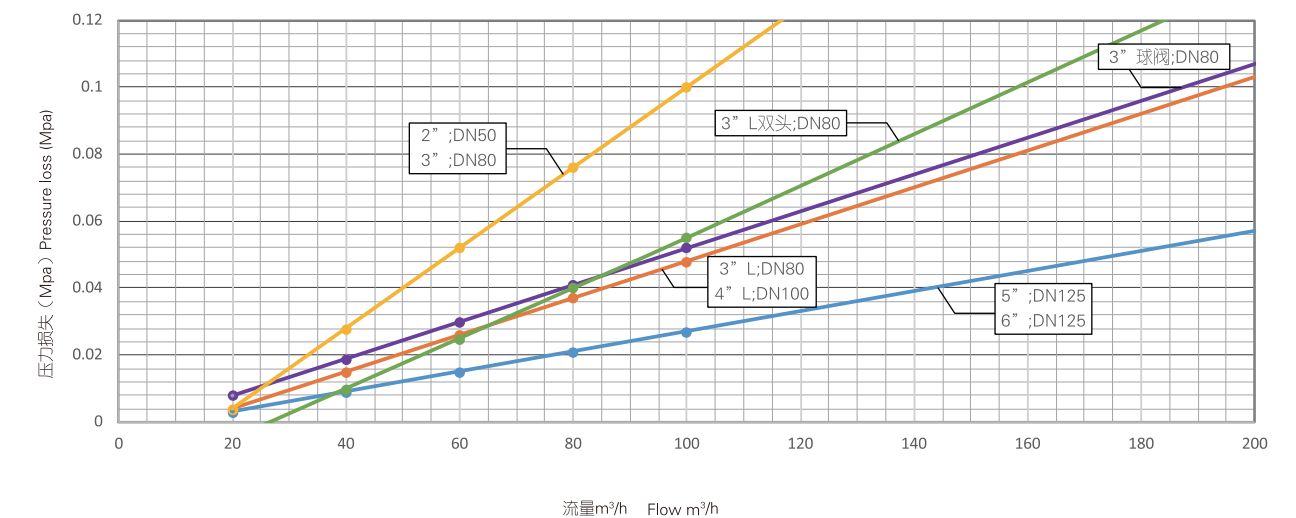
## 主要材质

主阀体：PA6+30%玻璃纤维增强  
隔膜：EPDM橡胶+增强纤维布  
弹簧、螺栓：不锈钢

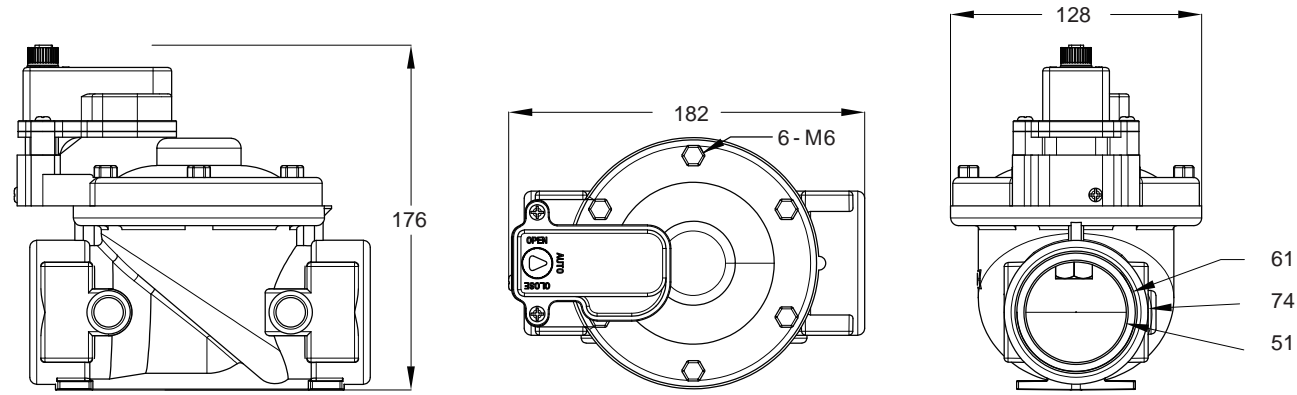
## Main materials:

Main valve body: PA6+30% glass fiber reinforced  
Diaphragm: EPDM rubber+reinforced fiber cloth  
Spring, bolt: stainless steel

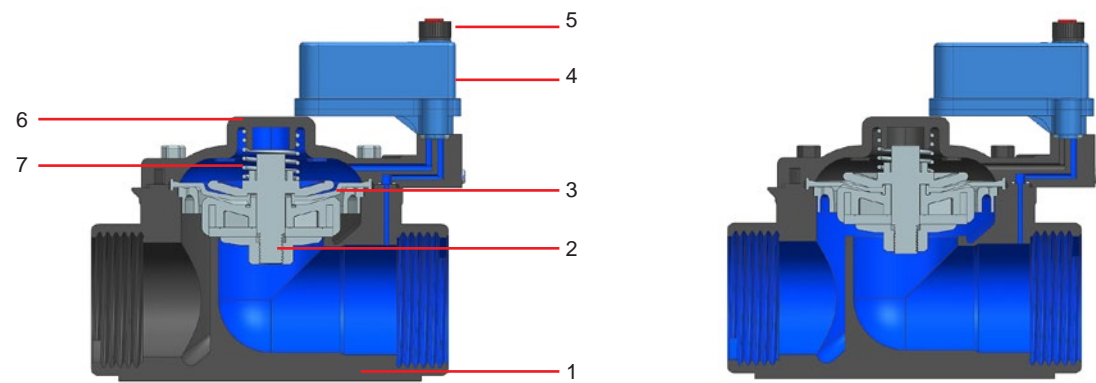
## 流量与压力损失表 Flow and pressure loss meter



## 安装尺寸图 Dimensions and Weights (单位Unit: mm)



## 工作原理图 Operational principle



关闭 Close the valve

开启 Open valve

序号 NO.	名称 Name	材质 Texture of material	序号 NO.	名称 Name	材质 Texture of material
1	阀体 Valve body	PA6+30%玻纤	4	控制器总成 Controller assembly	PA6+30%玻纤
2	阀芯 Spool	PA6+30%玻纤	5	开关按钮 Switch button	PA6+30%玻纤
3	膜片 diaphragm	EPDM橡胶+增强纤维布	6	阀盖 Valve cover	PA6+30%玻纤
			7	弹簧 Spring	304不锈钢 304 Stainless steel

## PSV-63Y

本产品主要作为主管道系统中流体的导通和截止，还可以配合调压导阀来实现管道中流体流量、压力的调节，满足不同的使用需求。主材采用尼龙材质，适用于不同应用环境，如野外和室内。工作介质为水和水液混合物。

This product is mainly used for the conduction and shut-off of fluids in the main pipeline system, and can also be used in conjunction with pressure regulating valves to regulate fluid flow and pressure in pipelines, meeting different usage needs. The main material is made of nylon, suitable for different application environments, such as outdoor and indoor. The working medium is a mixture of water and liquid.



### 功能和优点

- ◆ Y型阀全通式流道设计，水损小，过流量大，节约能耗。
- ◆ 内置管路式三通道水力控制，高可靠性，抗堵塞性能优良，无外置管路，耐用度高，内置过滤网容易清洗，保养简单，无易损件。
- ◆ S型阀芯膜片采用EPDM+复合纤维，耐高压性能、耐候性、耐高温老化、耐低温性能均优异。
- ◆ 主材采用PA6+30%增强纤维，耐高压水性能达到2.5Mpa以上，防紫外线和高温暴晒，性能不变。
- ◆ 控制器采用手动/自动两种模式，内置锁死机械，采用微电机齿轮驱动，高可靠性，可拆式防水结构，维护简单方便，使用寿命大大延长，达到10年以上。

### Features and Benefits

1. The Y-shaped valve is designed with a full flow channel, which has low water loss, high flow rate, and saves energy consumption.
2. Built in pipeline type three channel hydraulic control, high reliability, excellent anti clogging performance, no external pipelines, high durability, built-in filter screen easy to clean, simple maintenance, and no vulnerable parts.
3. The S-type valve core diaphragm adopts EPDM+composite fiber, which has excellent high pressure resistance, weather resistance, high temperature aging resistance, and low temperature resistance.
4. The main material is made of PA6+30% reinforced fibers, with a high pressure water resistance of over 2.5Mpa, UV protection and high temperature exposure, and unchanged performance.
5. The controller adopts two modes, manual/automatic, with built-in locking mechanism and micro motor gear drive, high reliability, detachable waterproof structure, simple and convenient maintenance, and greatly extended service life, reaching more than 10 years.

### 应用场景:

农业大田灌溉、温室大棚灌溉、沙漠绿化灌溉、工业水处理排放、市政供水、消防供水等。

Agricultural field irrigation, greenhouse irrigation, desert greening irrigation, industrial water treatment and discharge, municipal water supply, consumer water supply, etc.

**技术数据**

- ◆ 口径：2"
- ◆ 控制电压：
  - 1、AC/DC 12-24V 电流：< 1A
  - 2、脉冲电压：DC 3-12V  
脉冲宽度：80-200ms  
脉冲电流：1.5A
- ◆ 经济流量：10-40吨/小时。
- ◆ 最小工作压力：0.03Mpa
- ◆ 最大工作压力：1.0Mpa
- ◆ 极限压力：2.5Mpa
- ◆ 安装环境温度：-30 —70
- ◆ 工作介质温度：0.5 —60
- ◆ 阀门工作状态反馈：
  - A：开关信号输出
  - B：流量（频率）压力信号（模拟电压）输出
- ◆ 电器接口：防水接头/两芯22AWG电缆线
- ◆ 防水等级：IP68

**主要材质**

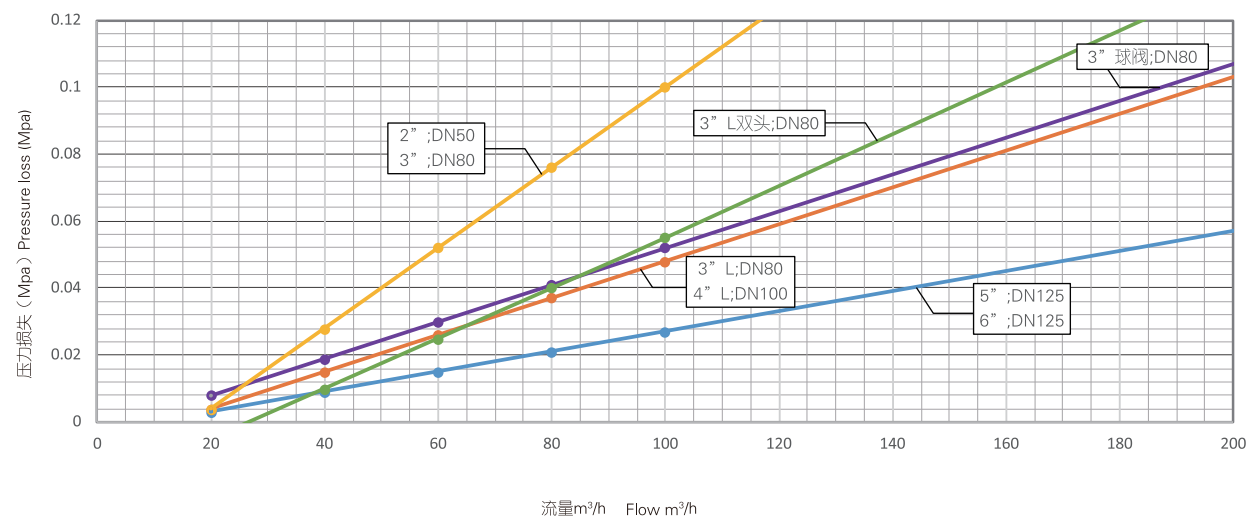
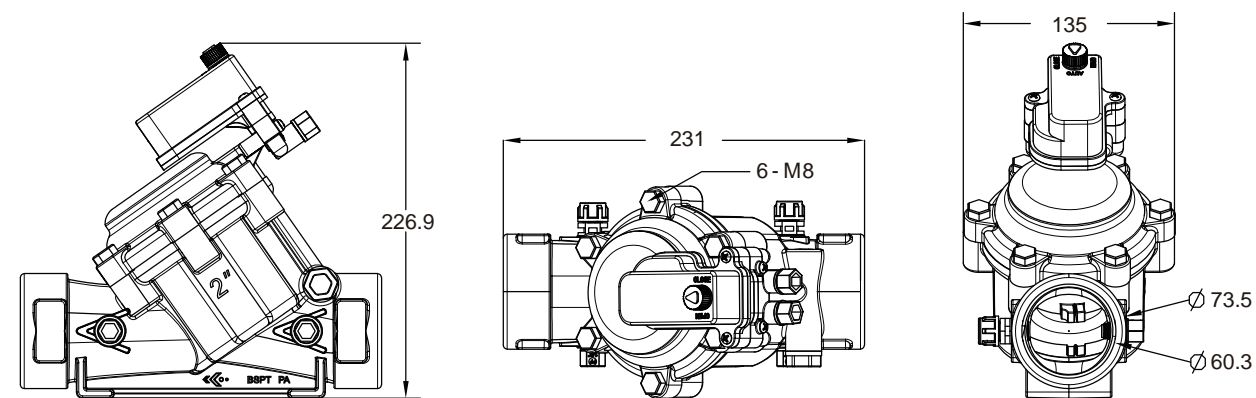
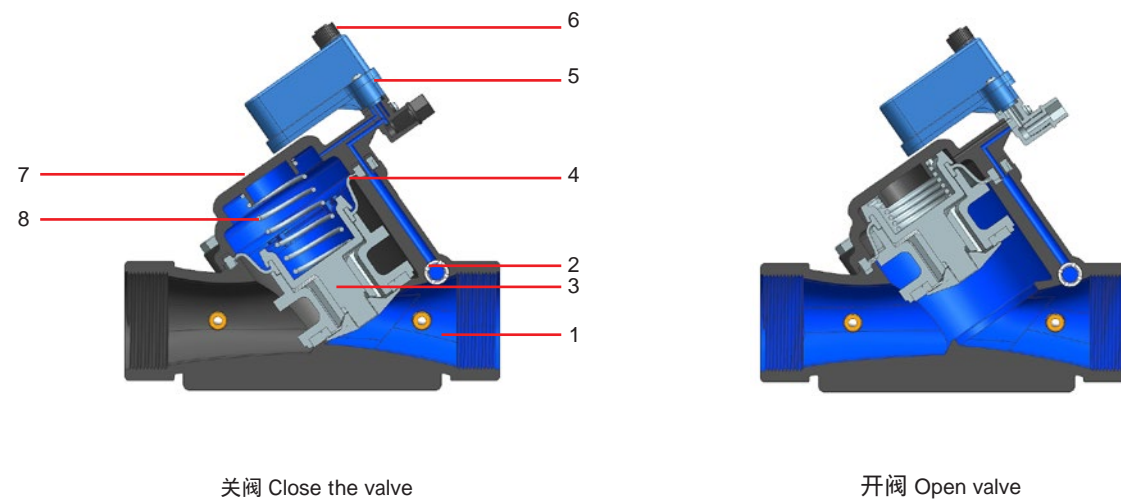
主阀体：PA6+30%玻璃纤维增强  
 隔膜：EPDM橡胶+增强纤维布  
 弹簧、螺栓：不锈钢

**Technical Data**

- ◆ Caliber: 2"
- ◆ Control voltage:
  - AC/DC 12-24V current: < 1A
  - Pulse voltage: DC 3-12V  
Pulse width: 300-500ms  
Pulse current: 1.5A
- ◆ Economic flow: 10-40 tons/hour.
- ◆ Minimum working pressure: 0.03Mpa
- ◆ Maximum working pressure: 1.0Mpa
- ◆ Ultimate pressure: 2.5Mpa
- ◆ Installation environment temperature: -30 —70
- ◆ Working medium temperature: 0.5 —60
- ◆ Feedback on valve working status:
  - Switch signal output
  - Flow (frequency) pressure signal (analog voltage) output
- ◆ Electrical interface: waterproof connector/two core cable.
- ◆ Waterproof rating: IP68

**Main materials:**

Main valve body: PA6+30% glass fiber reinforced  
 Diaphragm: EPDM rubber+reinforced fiber cloth  
 Spring, bolt: stainless steel

**流量与压力损失表 Flow and pressure loss meter**

**安装尺寸图 Dimensions and Weights (单位Unit: mm)**

**工作原理图 Operational principle**


序号 NO.	名称 Name	材质 Texture of material	序号 NO.	名称 Name	材质 Texture of material
1	阀体 Valve body	PA6+30%玻纤	5	控制器总成Controller assembly	PA6+30%玻纤
2	进水过滤网 Inlet filter screen	POM	6	开关按钮 Switch button	PA6+30%玻纤
3	阀芯 Spool	PA6+30%玻纤	7	阀盖 Valve cover	PA6+30%玻纤
4	膜片 diaphragm	EPDM橡胶+增强纤维布	8	弹簧 Spring	304不锈钢 304 Stainless steel



# PSV-90

本产品主要作为主管道系统中流体的导通和截止，还可以配合调压导阀来实现管道中流体流量、压力的调节，满足不同的使用需求。主材采用尼龙材质，适用于不同应用环境，如野外和室内。工作介质为水和水液混合物。

This product is mainly used for the conduction and shut-off of fluids in the main pipeline system, and can also be used in conjunction with pressure regulating valves to regulate fluid flow and pressure in pipelines, meeting different usage needs. The main material is made of nylon, suitable for different application environments, such as outdoor and indoor. The working medium is a mixture of water and liquid.



## 功能和优点

- ◆ Y型阀全通式流道设计，水损小，过流量大，节约能耗。
- ◆ 内置管路式三通道水力控制，高可靠性，抗堵塞性能优良，无外置管路，耐用度高，内置过滤网容易清洗，保养简单，无易损件。
- ◆ S型阀芯膜片采用EPDM+复合纤维，耐高压性能、耐候性、耐高温老化、耐低温性能均优异。
- ◆ 主材采用PA6+30%增强纤维，耐高压水性能达到2.5Mpa以上，防紫外线和高温暴晒，性能不变。
- ◆ 控制器采用手动/自动两种模式，内置锁死机械，采用微电机齿轮驱动，高可靠性，可拆式防水结构，维护简单方便，使用寿命大大延长，达到10年以上。

## Features and Benefits

1. The Y-shaped valve is designed with a full flow channel, which has low water loss, high flow rate, and saves energy consumption.
2. Built in pipeline type three channel hydraulic control, high reliability, excellent anti clogging performance, no external pipelines, high durability, built-in filter screen easy to clean, simple maintenance, and no vulnerable parts.
3. The S-type valve core diaphragm adopts EPDM+composite fiber, which has excellent high pressure resistance, weather resistance, high temperature aging resistance, and low temperature resistance.
4. The main material is made of PA6+30% reinforced fibers, with a high pressure water resistance of over 2.5Mpa, UV protection and high temperature exposure, and unchanged performance.
5. The controller adopts two modes, manual/automatic, with built-in locking mechanism and micro motor gear drive, high reliability, detachable waterproof structure, simple and convenient maintenance, and greatly extended service life, reaching more than 10 years.

### 应用场景:

农业大田灌溉、温室大棚灌溉、沙漠绿化灌溉、工业水处理排放、市政供水、消防供水等。

Agricultural field irrigation, greenhouse irrigation, desert greening irrigation, industrial water treatment and discharge, municipal water supply, consumer water supply, etc.

## 技术数据

- ◆ 口径：3"
- ◆ 控制电压：
  - 1、AC/DC 12-24V 电流：< 1A
  - 2、脉冲电压：DC 3-12V  
脉冲宽度：80-200ms  
脉冲电流：1.5A
- ◆ 经济流量：20-60吨/小时。
- ◆ 最小工作压力：0.03Mpa
- ◆ 最大工作压力：1.0Mpa
- ◆ 极限压力：2.5Mpa
- ◆ 安装环境温度：-30 —70
- ◆ 工作介质温度：0.5 —60
- ◆ 阀门工作状态反馈：
  - A：开关信号输出
  - B：流量（频率）压力信号（模拟电压）输出
- ◆ 电器接口：防水接头/两芯22AWG电缆线
- ◆ 防水等级：IP68

## Technical Data

- ◆ Caliber: 3"
- ◆ Control voltage:
  - AC/DC 12-24V current: < 1A
  - Pulse voltage: DC 3-12V
  - Pulse width: 80-200ms
  - Pulse current: 1.5A
- ◆ Economic flow: 20-60 tons/hour.
- ◆ Minimum working pressure: 0.03Mpa
- ◆ Maximum working pressure: 1.0Mpa
- ◆ Ultimate pressure: 2.5Mpa
- ◆ Installation environment temperature: -30 —70
- ◆ Working medium temperature: 0.5 —60
- ◆ Feedback on valve working status:
  - Switch signal output
  - Flow (frequency) pressure signal (analog voltage) output
- ◆ Electrical interface: waterproof connector/two core cable.
- ◆ Waterproof rating: IP68

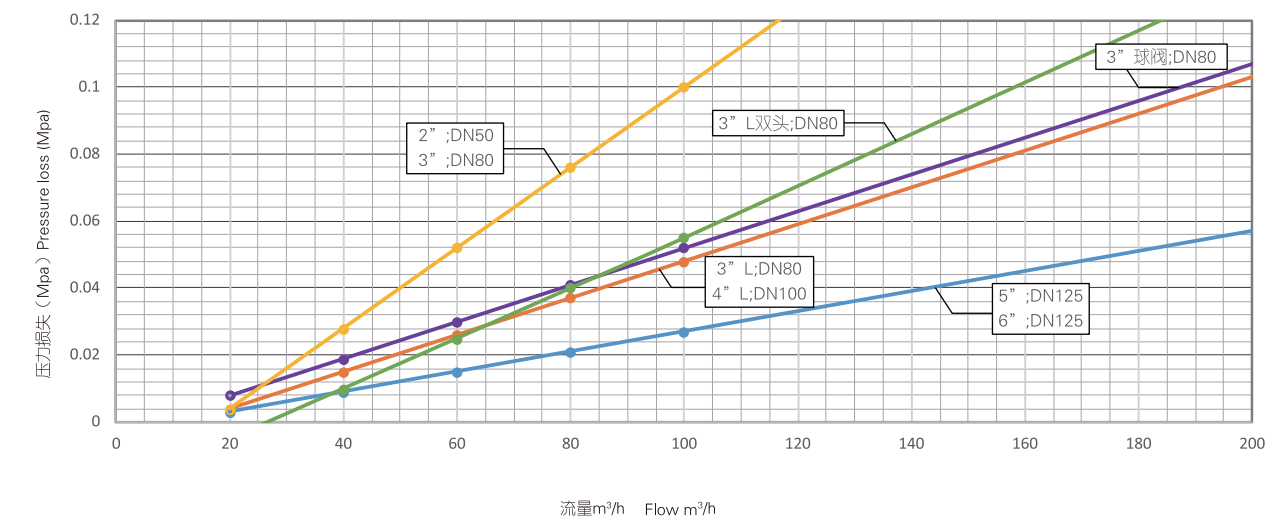
## 主要材质

主阀体：PA6+30%玻璃纤维增强  
隔膜：EPDM橡胶+增强纤维布  
弹簧、螺栓：不锈钢

## Main materials:

Main valve body: PA6+30% glass fiber reinforced  
Diaphragm: EPDM rubber+reinforced fiber cloth  
Spring, bolt: stainless steel

## 流量与压力损失表 Flow and pressure loss meter



**技术数据**

- ◆ 口径：3"
- ◆ 控制电压：
  - 1、AC/DC 12-24V 电流：< 1A
  - 2、脉冲电压：DC 3-12V  
脉冲宽度：80-200ms  
脉冲电流：1.5A
- ◆ 经济流量：20-60吨/小时。
- ◆ 最小工作压力：0.03Mpa
- ◆ 最大工作压力：1.0Mpa
- ◆ 极限压力：2.5Mpa
- ◆ 安装环境温度：-30 —70
- ◆ 工作介质温度：0.5 —60
- ◆ 阀门工作状态反馈：
  - A：开关信号输出
  - B：流量（频率）压力信号（模拟电压）输出
- ◆ 电器接口：防水连接器/两芯22AWG电缆线
- ◆ 防水等级：IP68

**主要材质**

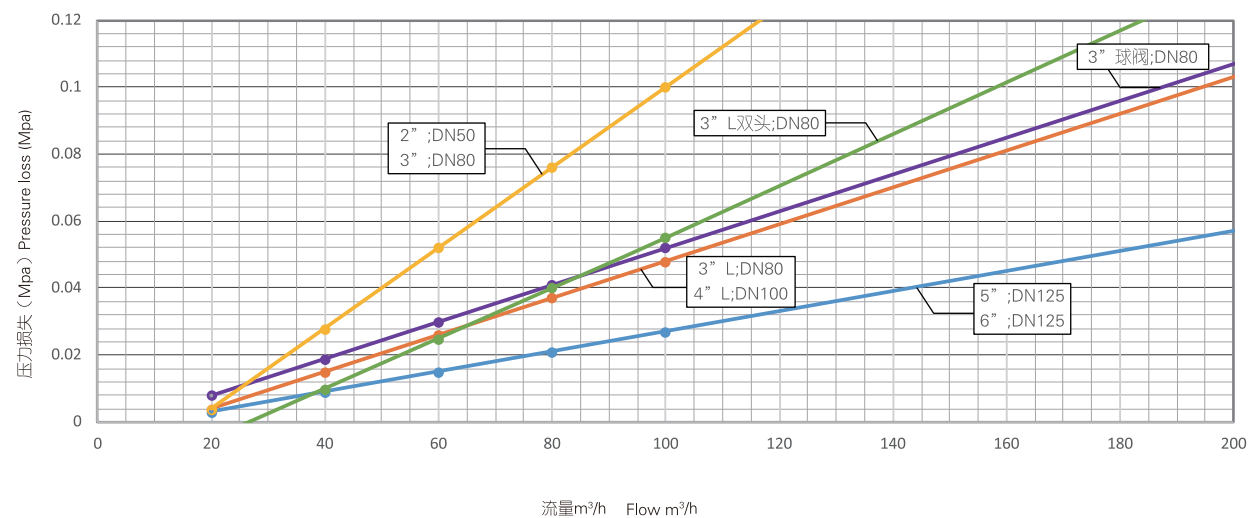
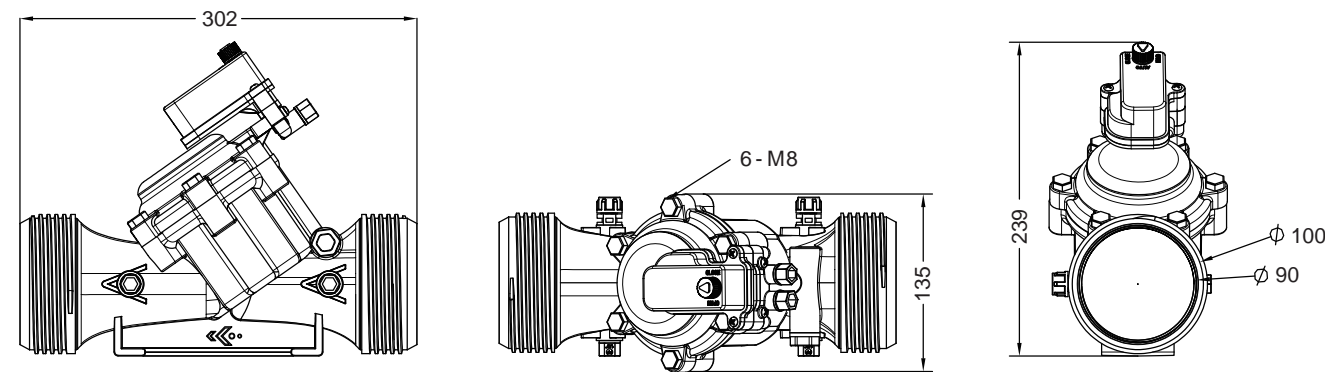
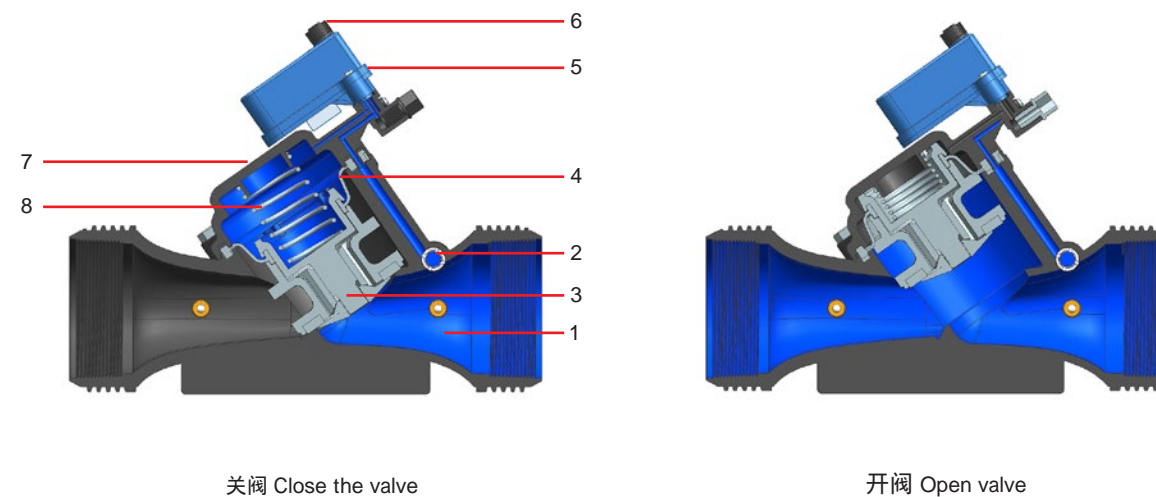
主阀体：PA6+30%玻璃纤维增强  
 隔膜：EPDM橡胶+增强纤维布  
 弹簧、螺栓：不锈钢

**Technical Data**

- ◆ Caliber: 3"
- ◆ Control voltage:
  - AC/DC 12-24V current: < 1A
  - Pulse voltage: DC 3-12V  
Pulse width: 300-500ms  
Pulse current: 1.5A
- ◆ Economic flow: 20-60 tons/hour.
- ◆ Minimum working pressure: 0.03Mpa
- ◆ Maximum working pressure: 1.0Mpa
- ◆ Ultimate pressure: 2.5Mpa
- ◆ Installation environment temperature: -30 —70
- ◆ Working medium temperature: 0.5 —60
- ◆ Feedback on valve working status:
  - Switch signal output
  - Flow (frequency) pressure signal (analog voltage) output
- ◆ Electrical interface: waterproof connector/two core cable.
- ◆ Waterproof rating: IP68

**Main materials:**

Main valve body: PA6+30% glass fiber reinforced  
 Diaphragm: EPDM rubber+reinforced fiber cloth  
 Spring, bolt: stainless steel

**流量与压力损失表 Flow and pressure loss meter**

**安装尺寸图 Dimensions and Weights (单位Unit: mm)**

**工作原理图 Operational principle**


序号 NO.	名称 Name	材质 Texture of material	序号 NO.	名称 Name	材质 Texture of material
1	阀体 Valve body	PA6+30%玻纤	5	控制器总成 Controller assembly	PA6+30%玻纤
2	进水过滤网 Inlet filter screen	POM	6	开关按钮 Switch button	PA6+30%玻纤
3	阀芯 Spool	PA6+30%玻纤	7	阀盖 Valve cover	PA6+30%玻纤
4	膜片 diaphragm	EPDM橡胶+增强纤维布	8	弹簧 Spring	304不锈钢 304 Stainless steel



# PSV-S90

本产品主要作为主管道系统中流体的导通和截止，还可以配合调压导阀来实现管道中流体流量、压力的调节，满足不同的使用需求。主材采用尼龙材质，适用于不同应用环境，如野外和室内。工作介质为水和水液混合物。

This product is mainly used for the conduction and shut-off of fluids in the main pipeline system, and can also be used in conjunction with pressure regulating valves to regulate fluid flow and pressure in pipelines, meeting different usage needs. The main material is made of nylon, suitable for different application environments, such as outdoor and indoor. The working medium is a mixture of water and liquid.



## 功能和优点

- ◆ Y型阀全通式流道设计，水损小，过流量大，节约能耗。
- ◆ 内置管路式三通道水力控制，高可靠性，抗堵塞性能优良，无外置管路，耐用度高，内置过滤网容易清洗，保养简单，无易损件。
- ◆ S型阀芯膜片采用EPDM+复合纤维，耐高压性能、耐候性、耐高温老化、耐低温性能均优异。
- ◆ 主材采用PA6+30%增强纤维，耐高压水性能达到2.5Mpa以上，防紫外线和高温暴晒，性能不变。
- ◆ 控制器采用手动/自动两种模式，内置锁死机械，采用微电机齿轮驱动，高可靠性，可拆式防水结构，维护简单方便，使用寿命大大延长，达到10年以上。

## Features and Benefits

1. The Y-shaped valve is designed with a full flow channel, which has low water loss, high flow rate, and saves energy consumption.
2. Built in pipeline type three channel hydraulic control, high reliability, excellent anti clogging performance, no external pipelines, high durability, built-in filter screen easy to clean, simple maintenance, and no vulnerable parts.
3. The S-type valve core diaphragm adopts EPDM+composite fiber, which has excellent high pressure resistance, weather resistance, high temperature aging resistance, and low temperature resistance.
4. The main material is made of PA6+30% reinforced fibers, with a high pressure water resistance of over 2.5Mpa, UV protection and high temperature exposure, and unchanged performance.
5. The controller adopts two modes, manual/automatic, with built-in locking mechanism and micro motor gear drive, high reliability, detachable waterproof structure, simple and convenient maintenance, and greatly extended service life, reaching more than 10 years.

## 应用场景:

农业大田灌溉、温室大棚灌溉、沙漠绿化灌溉、工业水处理排放、市政供水、消防供水等。

Agricultural field irrigation, greenhouse irrigation, desert greening irrigation, industrial water treatment and discharge, municipal water supply, consumer water supply, etc.

## 技术数据

- ◆ 口径：3"-S
- ◆ 控制电压：
  - 1、AC/DC 12-24V 电流：< 1A
  - 2、脉冲电压：DC 3-12V  
脉冲宽度：80-200ms  
脉冲电流：1.5A
- ◆ 经济流量：20-60吨/小时。
- ◆ 最小工作压力：0.03Mpa
- ◆ 最大工作压力：1.0Mpa
- ◆ 极限压力：2.5Mpa
- ◆ 安装环境温度：-30 —70
- ◆ 工作介质温度：0.5 —60
- ◆ 阀门工作状态反馈：
  - A：开关信号输出
  - B：流量（频率）压力信号（模拟电压）输出
- ◆ 电器接口：防水接头/两芯22AWG电缆线
- ◆ 防水等级：IP68

## Technical Data

- ◆ Caliber: 3" -S
- ◆ Control voltage:
  - AC/DC 12-24V current: < 1A
  - Pulse voltage: DC 3-12V
  - Pulse width: 300-500ms
  - Pulse current: 1.5A
- ◆ Economic flow: 20-60 tons/hour.
- ◆ Minimum working pressure: 0.03Mpa
- ◆ Maximum working pressure: 1.0Mpa
- ◆ Ultimate pressure: 2.5Mpa
- ◆ Installation environment temperature: -30 —70
- ◆ Working medium temperature: 0.5 —60
- ◆ Feedback on valve working status:
  - Switch signal output
  - Flow (frequency) pressure signal (analog voltage) output
- ◆ Electrical interface: waterproof connector/two core cable.
- ◆ Waterproof rating: IP68

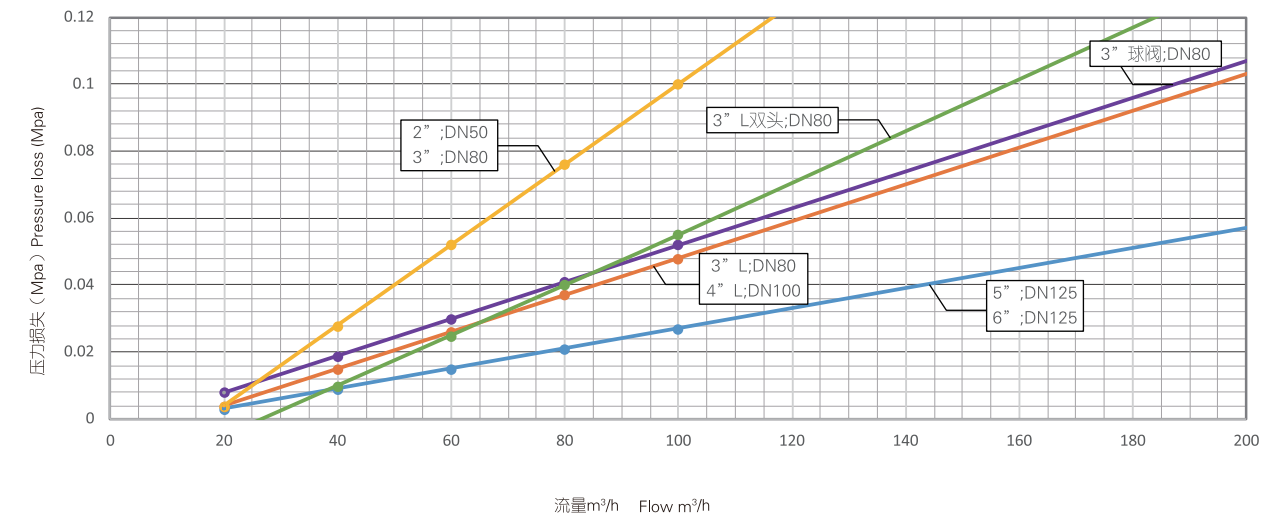
## 主要材质

主阀体：PA6+30%玻璃纤维增强  
隔膜：EPDM橡胶+增强纤维布  
弹簧、螺栓：不锈钢

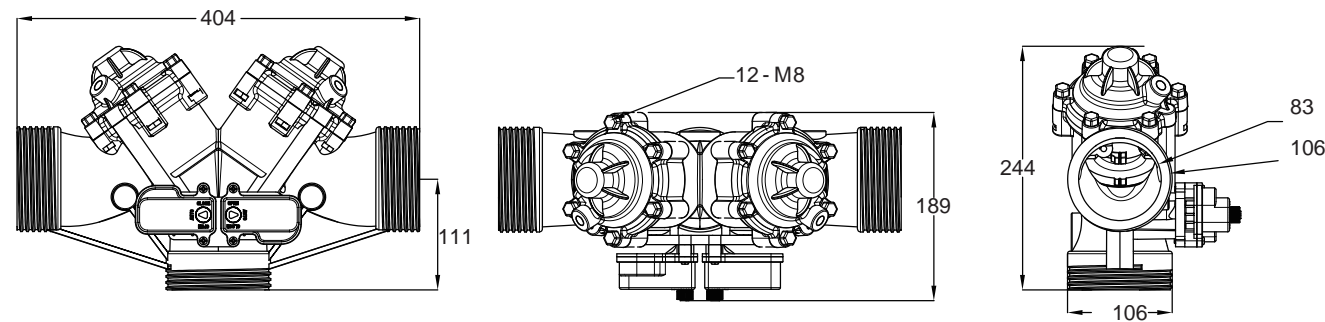
## Main materials:

Main valve body: PA6+30% glass fiber reinforced  
Diaphragm: EPDM rubber+reinforced fiber cloth  
Spring, bolt: stainless steel

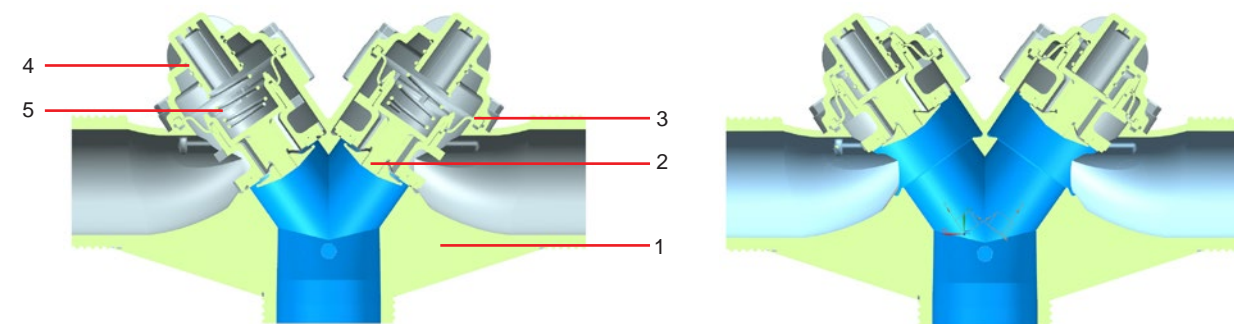
## 流量与压力损失表 Flow and pressure loss meter



## 安装尺寸图 Dimensions and Weights (单位Unit: mm)



## 工作原理图 Operational principle



关闭 Close the valve

开启 Open valve

序号 NO.	名称 Name	材质 Texture of material	序号 NO.	名称 Name	材质 Texture of material
1	阀体 Valve body	PA6+30%玻纤	4	阀盖 Valve cover	PA6+30%玻纤
2	阀芯 Spool	PA6+30%玻纤	5	弹簧 Spring	304不锈钢 304 Stainless steel
3	膜片 diaphragm	EPDM橡胶+增强纤维布			

## PSV-S90L

本产品主要作为主管道系统中流体的导通和截止，还可以配合调压导阀来实现管道中流体流量、压力的调节，满足不同的使用需求。主材采用尼龙材质，适用于不同应用环境，如野外和室内。工作介质为水和水液混合物。

This product is mainly used for the conduction and shut-off of fluids in the main pipeline system, and can also be used in conjunction with pressure regulating valves to regulate fluid flow and pressure in pipelines, meeting different usage needs. The main material is made of nylon, suitable for different application environments, such as outdoor and indoor. The working medium is a mixture of water and liquid.



### 功能和优点

- ◆ Y型阀全通式流道设计，水损小，过流量大，节约能耗。
- ◆ 内置管路式三通道水力控制，高可靠性，抗堵塞性能优良，无外置管路，耐用度高，内置过滤网容易清洗，保养简单，无易损件。
- ◆ S型阀芯膜片采用EPDM+复合纤维，耐高压性能、耐候性、耐高温老化、耐低温性能均优异。
- ◆ 主材采用PA6+30%增强纤维，耐高压水性能达到2.5Mpa以上，防紫外线和高温暴晒，性能不变。
- ◆ 控制器采用手动/自动两种模式，内置锁死机械，采用微电机齿轮驱动，高可靠性，可拆式防水结构，维护简单方便，使用寿命大大延长，达到10年以上。

### Features and Benefits

1. The Y-shaped valve is designed with a full flow channel, which has low water loss, high flow rate, and saves energy consumption.
2. Built in pipeline type three channel hydraulic control, high reliability, excellent anti clogging performance, no external pipelines, high durability, built-in filter screen easy to clean, simple maintenance, and no vulnerable parts.
3. The S-type valve core diaphragm adopts EPDM+composite fiber, which has excellent high pressure resistance, weather resistance, high temperature aging resistance, and low temperature resistance.
4. The main material is made of PA6+30% reinforced fibers, with a high pressure water resistance of over 2.5Mpa, UV protection and high temperature exposure, and unchanged performance.
5. The controller adopts two modes, manual/automatic, with built-in locking mechanism and micro motor gear drive, high reliability, detachable waterproof structure, simple and convenient maintenance, and greatly extended service life, reaching more than 10 years.

### 应用场景:

农业大田灌溉、温室大棚灌溉、沙漠绿化灌溉、工业水处理排放、市政供水、消防供水等。

Agricultural field irrigation, greenhouse irrigation, desert greening irrigation, industrial water treatment and discharge, municipal water supply, consumer water supply, etc.

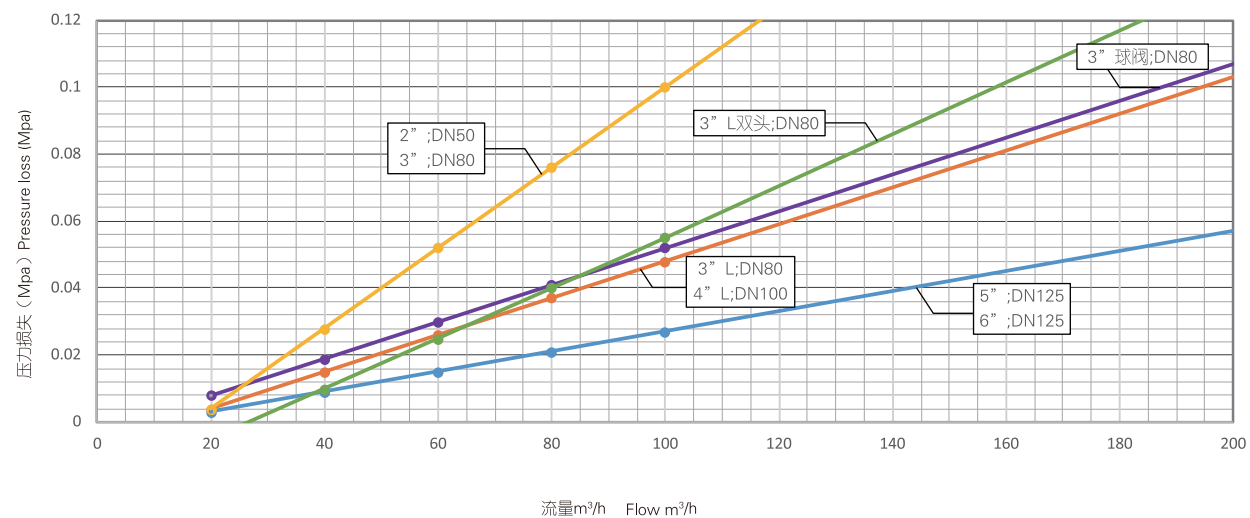


**技术数据**

- ◆ 口径：3"-LS
- ◆ 控制电压：
  - 1、AC/DC 12-24V 电流：< 1A
  - 2、脉冲电压：DC 3-12V  
脉冲宽度：80-200ms  
脉冲电流：1.5A
- ◆ 经济流量：50-80吨/小时
- ◆ 最小工作压力：0.03Mpa
- ◆ 最大工作压力：1.0Mpa
- ◆ 极限压力：2.5Mpa
- ◆ 安装环境温度：-30 —70
- ◆ 工作介质温度：0.5 —60
- ◆ 阀门工作状态反馈：
  - A：开关信号输出
  - B：流量（频率）压力信号（模拟电压）输出
- ◆ 电器接口：防水接头/两芯22AWG电缆线。
- ◆ 防水等级：IP68

**主要材质**

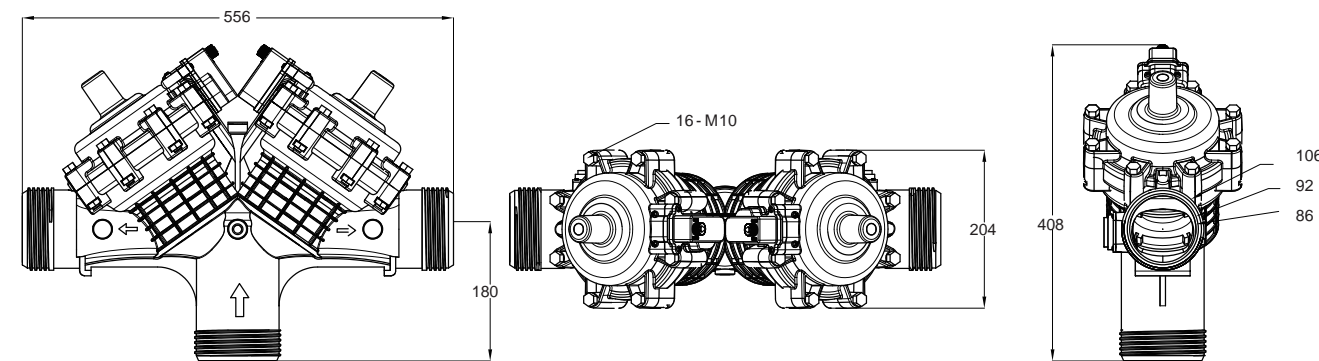
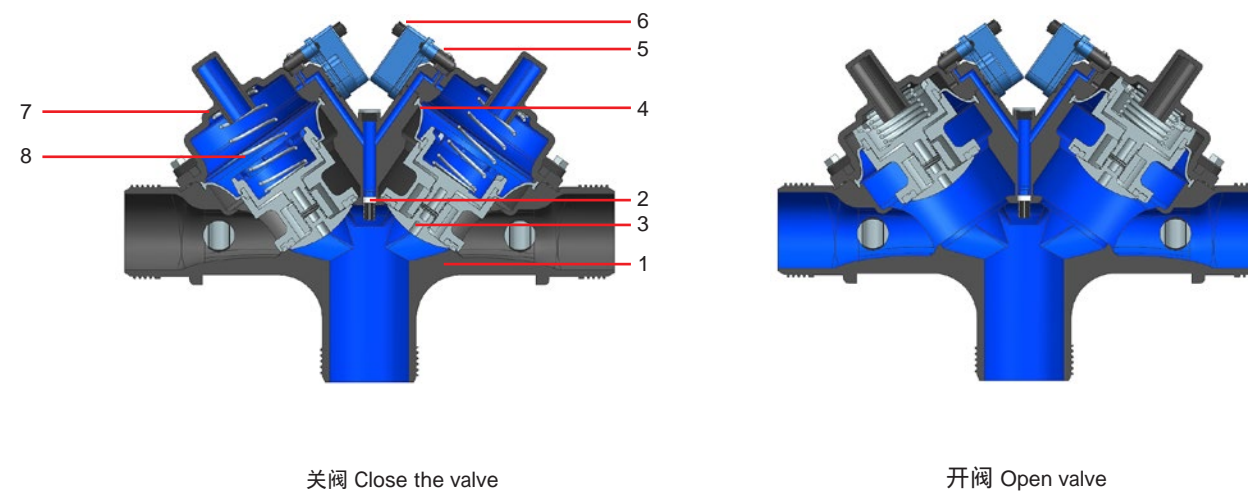
主阀体：PA6+30%玻璃纤维增强  
 隔膜：EPDM橡胶+增强纤维布  
 弹簧、螺栓：不锈钢

**流量与压力损失表 Flow and pressure loss meter**

**Technical Data**

- ◆ Caliber: 3"-LS
- ◆ Control voltage:
  - AC/DC 12-24V current: < 1A
  - Pulse voltage: DC 3-12V  
Pulse width: 300-500ms  
Pulse current: 1.5A
- ◆ Economic flow: 50-80 tons/hour
- ◆ Minimum working pressure: 0.03Mpa
- ◆ Maximum working pressure: 1.0Mpa
- ◆ Ultimate pressure: 2.5Mpa
- ◆ Installation environment temperature: -30 —70
- ◆ Working medium temperature: 0.5 —60
- ◆ Feedback on valve working status:
  - Switch signal output
  - Flow (frequency) pressure signal (analog voltage) output
- ◆ Electrical interface: waterproof connector/two core cable.
- ◆ Waterproof rating: IP68

**Main materials:**

Main valve body: PA6+30% glass fiber reinforced  
 Diaphragm: EPDM rubber+reinforced fiber cloth  
 Spring, bolt: stainless steel

**安装尺寸图 Dimensions and Weights (单位Unit: mm)**

**工作原理图 Operational principle**


序号 NO.	名称 Name	材质 Texture of material	序号 NO.	名称 Name	材质 Texture of material
1	阀体 Valve body	PA6+30%玻纤	5	控制器总成 Controller assembly	PA6+30%玻纤
2	进水过滤网 Inlet filter screen	POM	6	开关按钮 Switch button	PA6+30%玻纤
3	阀芯 Spool	PA6+30%玻纤	7	阀盖 Valve cover	PA6+30%玻纤
4	膜片 diaphragm	EPDM橡胶+增强纤维布	8	弹簧 Spring	304不锈钢 304 Stainless steel

# PSV-Q90

本产品主要作为主管道系统中流体的导通和截止，内置的调压模块可以控制球体执行任意角度旋转，实现管道中流体流量、压力的调节，满足不同的使用需求。主材采用尼龙材质，球体采用黄铜合金制造，适用于不同应用环境，如野外和室内。工作介质为水和水液混合物。

This product is mainly used for the conduction and cut-off of fluids in the main pipeline system. The built-in pressure regulating module can control the sphere to rotate at any angle, achieving the adjustment of fluid flow and pressure in the pipeline, and meeting different usage needs. The main material is made of nylon, and the sphere is made of brass alloy, suitable for different application environments, such as outdoor and indoor. The working medium is a mixture of water and liquid.



## 功能和优点

- ◆ T型球体设计，水损小，过流量大，节约能耗。
- ◆ 阀体采用PA6+30%增强纤维，球体采用黄铜合金制造，表面镀铬，密封件采用聚四氟乙烯，高耐磨，耐高压性能、耐候性、耐高温老化、耐低温性能均优异。
- ◆ 采用4G无线通讯技术，可远程调控开/关阀，并可控制开阀任意角度，达到控制流量压力的目的。
- ◆ 配置太阳能充电板，无需拆卸充电，达到一次安装终身使用。

## Features and Benefits

1. T-shaped spherical design, with low water loss and high flow rate, saving energy consumption.
2. The valve body is made of PA6+30% reinforced fiber, and the ball is made of brass alloy with a chrome plated surface. The sealing element is made of polytetrafluoroethylene, which has high wear resistance, high pressure resistance, weather resistance, high temperature aging resistance, and low temperature resistance.
3. Adopting 4G wireless communication technology, it can remotely control the opening/closing of valves and control any angle of valve opening to achieve the goal of controlling flow and pressure.
4. Configure a solar charging panel that does not require disassembly for charging, achieving one-time installation and lifelong use.

## 应用场景:

农业大田灌溉、温室大棚灌溉、沙漠绿化灌溉、工业水处理排放、市政供水、消防供水等。

Agricultural field irrigation, greenhouse irrigation, desert greening irrigation, industrial water treatment and discharge, municipal water supply, consumer water supply, etc.

## 技术数据

- ◆ 口径：3"
- ◆ 控制电压：
  - 1、DC 3-6V 电流：< 1.5A
  - 2、DC 6-12V 电流：< 1.7A 功率 < 3w
- ◆ 经济流量：30-100吨/小时
- ◆ 最小工作压力：0.01Mpa
- ◆ 最大工作压力：1.0Mpa
- ◆ 极限压力：2.5Mpa
- ◆ 安装环境温度：-30 —70
- ◆ 工作介质温度：0.5 —60
- ◆ 阀门工作状态反馈：
  - A：开关信号输出
  - B：流量（频率）压力信号（模拟电压）输出
- ◆ 电器接口：防水接头/两芯22AWG电缆线
- ◆ 防水等级：IP68

## Technical Data

- ◆ Caliber: 3"
- ◆ Control voltage:
  - DC 3-6V current: < 1.5A
  - DC 6-12V current: < 1.5A power: < 3w
- ◆ Economic flow: 70-150 tons/hour
- ◆ Minimum working pressure: 0.03Mpa
- ◆ Maximum working pressure: 1.0Mpa
- ◆ Ultimate pressure: 2.5Mpa
- ◆ Installation environment temperature: -30 -70
- ◆ Working medium temperature: 0.5 -60
- ◆ Feedback on valve working status:
  - Switch signal output
  - Flow (frequency) pressure signal (analog voltage) output
- ◆ Electrical interface: waterproof connector/two core cable.
- ◆ Waterproof rating: IP68

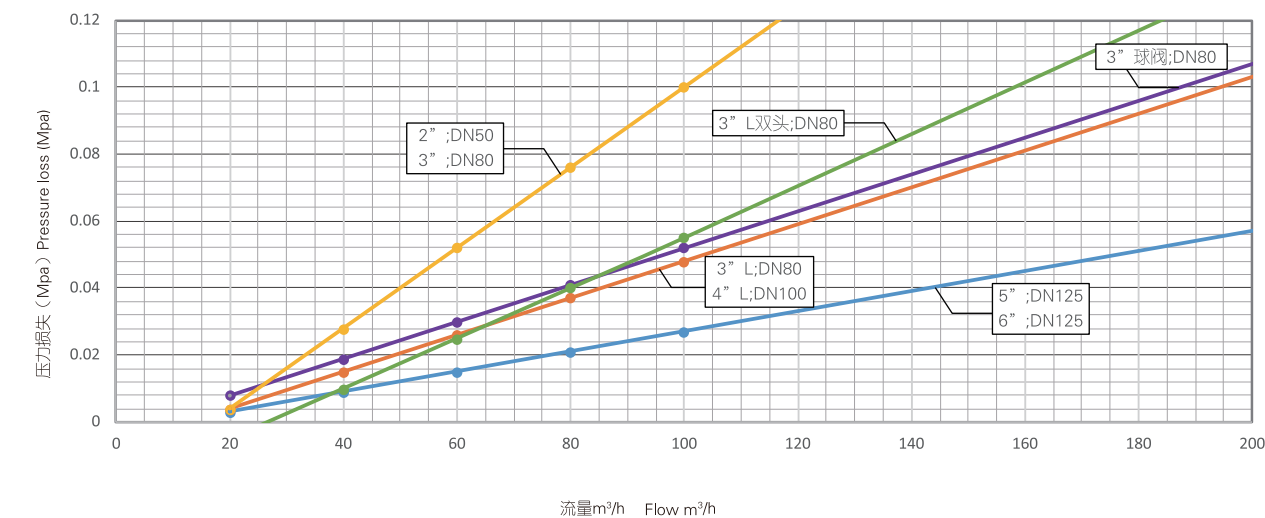
## 主要材质

主阀体：PA6+30%玻璃纤维增强  
球体：黄铜合金  
密封件：聚四氟乙烯

## Main materials:

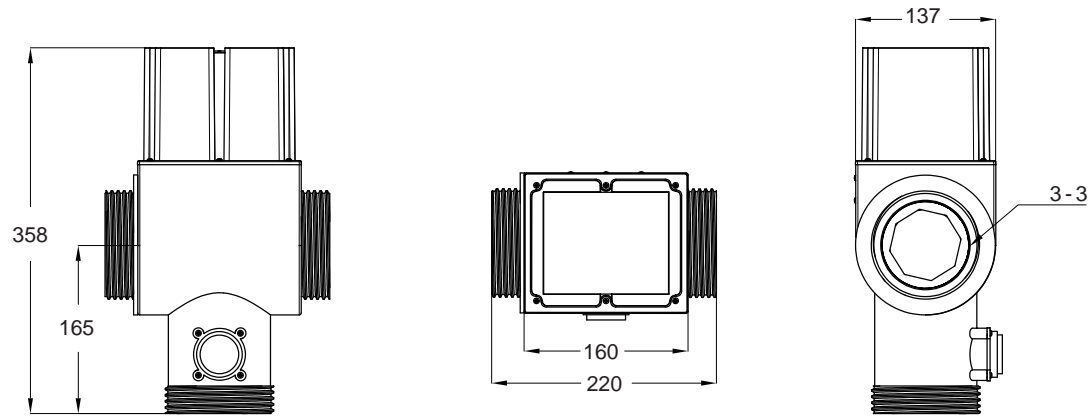
Main valve body: PA6+30% glass fiber reinforced  
Diaphragm: EPDM rubber+reinforced fiber cloth  
Spring, bolt: stainless steel

## 流量与压力损失表 Flow and pressure loss meter

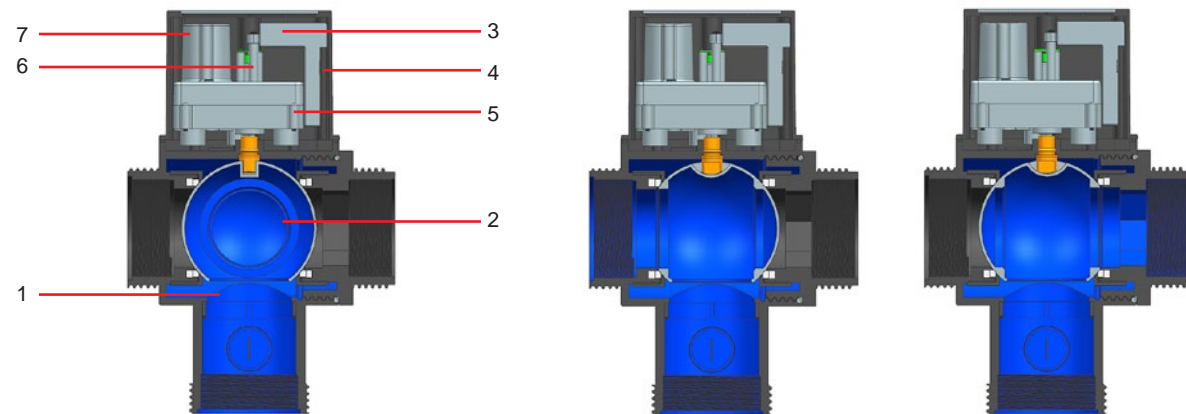




## 安装尺寸图 Dimensions and Weights (单位Unit: mm)



## 工作原理图 Operational principle



关闭 Close the valve

开启 Open valve

序号 NO.	名称 Name	材质 Texture of material	序号 NO.	名称 Name	材质 Texture of material
1	阀体 Valve body	PA6+30%玻纤	5	变速箱总成 Transmission assembly	
2	球体 Sphere	POM	6	角度控制板 Angle control board	
3	电池仓 Battery compartment	锂电池 Lithium battery	7	电机 Electrical machinery	
4	PCB				

## PSV-Q90D

本产品主要作为主管道系统中流体的导通和截止，内置的调压模块可以控制球体执行任意角度旋转，实现管道中流体流量、压力的调节，满足不同的使用需求。主材采用尼龙材质，球体采用黄铜合金制造，适用于不同应用环境，如野外和室内。工作介质为水和水液混合物。

This product is mainly used for the conduction and cut-off of fluids in the main pipeline system. The built-in pressure regulating module can control the sphere to rotate at any angle, achieving the adjustment of fluid flow and pressure in the pipeline, and meeting different usage needs. The main material is made of nylon, and the sphere is made of brass alloy, suitable for different application environments, such as outdoor and indoor. The working medium is a mixture of water and liquid.



### 功能和优点

- ◆ T型球体设计，水损小，过流量大，节约能耗。
- ◆ 阀体采用PA6+30%增强纤维，球体采用黄铜合金制造，表面镀铬，密封件采用聚四氟乙烯，高耐磨，耐高压性能、耐候性、耐高温老化、耐低温性能均优异。
- ◆ 采用4G无线通讯技术，可远程调控开/关阀，并可控制开阀任意角度，达到控制流量压力的目的。
- ◆ 配置太阳能充电板，无需拆卸充电，达到一次安装终身使用。

### Features and Benefits

1. T-shaped spherical design, with low water loss and high flow rate, saving energy consumption.
2. The valve body is made of PA6+30% reinforced fiber, and the ball is made of brass alloy with a chrome plated surface. The sealing element is made of polytetrafluoroethylene, which has high wear resistance, high pressure resistance, weather resistance, high temperature aging resistance, and low temperature resistance.
3. Adopting 4G wireless communication technology, it can remotely control the opening/closing of valves and control any angle of valve opening to achieve the goal of controlling flow and pressure.
4. Configure a solar charging panel that does not require disassembly for charging, achieving one-time installation and lifelong use.

### 应用场景:

农业大田灌溉、温室大棚灌溉、沙漠绿化灌溉、工业水处理排放、市政供水、消防供水等。

Agricultural field irrigation, greenhouse irrigation, desert greening irrigation, industrial water treatment and discharge, municipal water supply, consumer water supply, etc.

**技术数据**

- ◆ 口径：3"
- ◆ 控制电压：
  - 1、DC 3-6V 电流：< 1.5A
  - 2、DC 6-12V 电流：< 1.7A 功率 < 3w
- ◆ 经济流量：30-100吨/小时
- ◆ 最小工作压力：0.01Mpa
- ◆ 最大工作压力：1.0Mpa
- ◆ 极限压力：2.5Mpa
- ◆ 安装环境温度：-30 —70
- ◆ 工作介质温度：0.5 —60
- ◆ 阀门工作状态反馈：
  - A：开关信号输出
  - B：流量（频率）压力信号（模拟电压）输出
- ◆ 电器接口：防水接头/两芯22AWG电缆线
- ◆ 防水等级：IP68

**Technical Data**

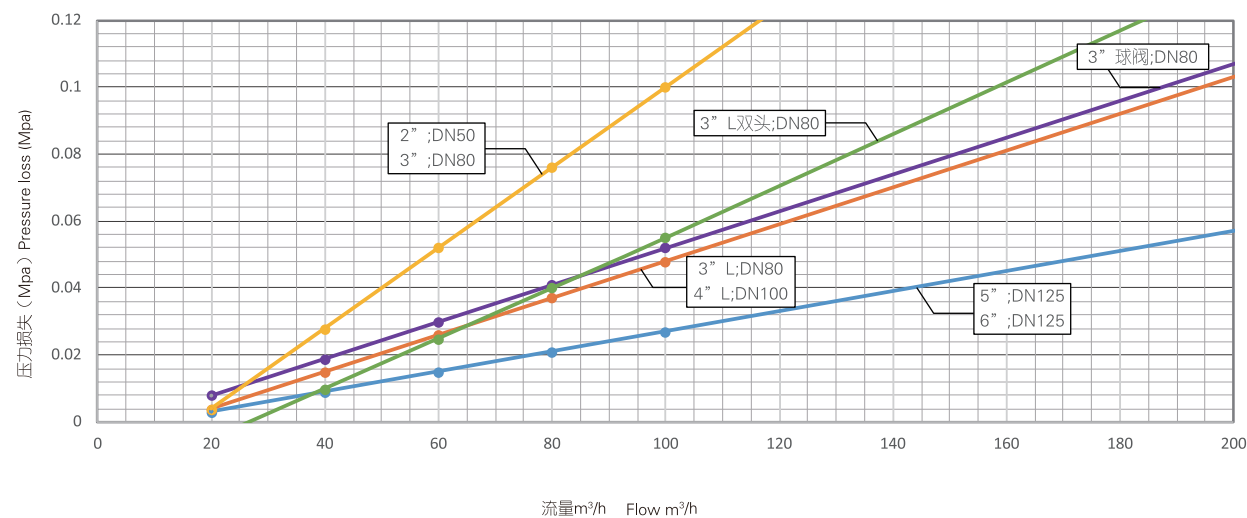
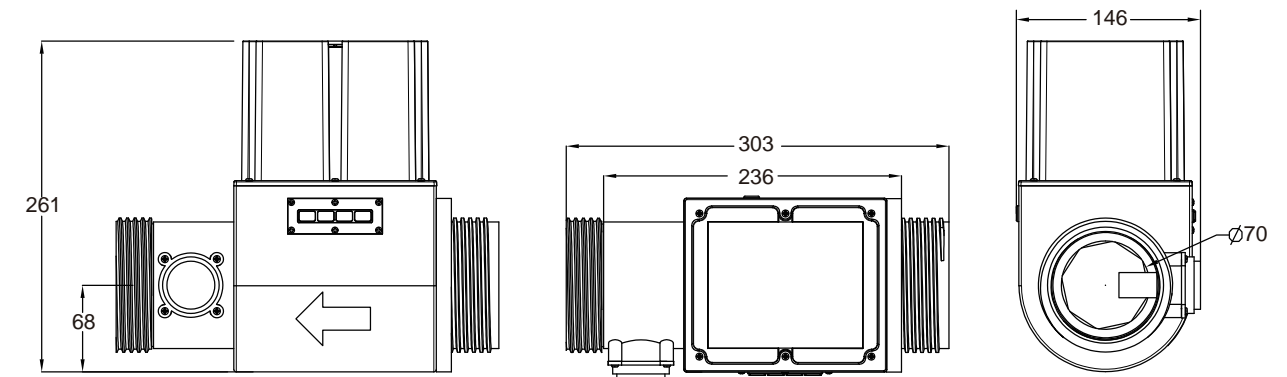
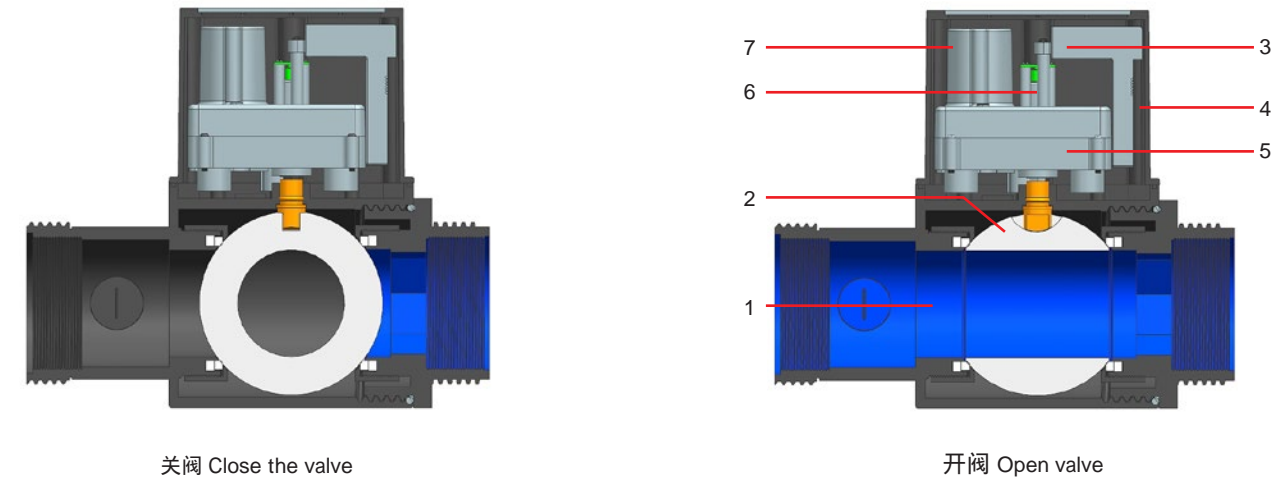
- ◆ Caliber: 3"
- ◆ Control voltage:
  - DC 3-6V current: < 1.5A
  - DC 6-12V current: < 1.5A power: < 3w
- ◆ Economic flow: 70-150 tons/hour
- ◆ Minimum working pressure: 0.03Mpa
- ◆ Maximum working pressure: 1.0Mpa
- ◆ Ultimate pressure: 2.5Mpa
- ◆ Installation environment temperature: -30 -70
- ◆ Working medium temperature: 0.5 -60
- ◆ Feedback on valve working status:
  - Switch signal output
  - Flow (frequency) pressure signal (analog voltage) output
- ◆ Electrical interface: waterproof connector/two core cable.
- ◆ Waterproof rating: IP68

**主要材质**

主阀体：PA6+30%玻璃纤维增强  
球体：黄铜合金  
密封件：聚四氟乙烯

**Main materials:**

Main valve body: PA6+30% glass fiber reinforced  
Diaphragm: EPDM rubber+reinforced fiber cloth  
Spring, bolt: stainless steel

**流量与压力损失表 Flow and pressure loss meter**

**安装尺寸图 Dimensions and Weights (单位Unit: mm)**

**工作原理图 Operational principle**


序号 NO.	名称 Name	材质 Texture of material	序号 NO.	名称 Name	材质 Texture of material
1	阀体 Valve body	PA6+30%玻纤	5	变速箱总成 Transmission assembly	
2	球体 Sphere	POM	6	角度控制板 Angle control board	
3	电池仓 Battery compartment	锂电池 Lithium battery	7	电机 Electrical machinery	
4	PCB				



# PSV-Q90S

本产品主要作为主管道系统中流体的导通和截止，内置的调压模块可以控制球体执行任意角度旋转，实现管道中流体流量、压力的调节，满足不同的使用需求。主材采用尼龙材质，球体采用黄铜合金制造，适用于不同应用环境，如野外和室内。工作介质为水和水液混合物。

This product is mainly used for the conduction and cut-off of fluids in the main pipeline system. The built-in pressure regulating module can control the sphere to rotate at any angle, achieving the adjustment of fluid flow and pressure in the pipeline, and meeting different usage needs. The main material is made of nylon, and the sphere is made of brass alloy, suitable for different application environments, such as outdoor and indoor. The working medium is a mixture of water and liquid.



## 功能和优点

- ◆ T型球体设计，水损小，过流量大，节约能耗。
- ◆ 阀体采用PA6+30%增强纤维，球体采用黄铜合金制造，表面镀铬，密封件采用聚四氟乙烯，高耐磨，耐高压性能、耐候性、耐高温老化、耐低温性能均优异。
- ◆ 采用4G无线通讯技术，可远程调控开/关阀，并可控制开阀任意角度，达到控制流量压力的目的。
- ◆ 配置太阳能充电板，无需拆卸充电，达到一次安装终身使用。

## Features and Benefits

1. T-shaped spherical design, with low water loss and high flow rate, saving energy consumption.
2. The valve body is made of PA6+30% reinforced fiber, and the ball is made of brass alloy with a chrome plated surface. The sealing element is made of polytetrafluoroethylene, which has high wear resistance, high pressure resistance, weather resistance, high temperature aging resistance, and low temperature resistance.
3. Adopting 4G wireless communication technology, it can remotely control the opening/closing of valves and control any angle of valve opening to achieve the goal of controlling flow and pressure.
4. Configure a solar charging panel that does not require disassembly for charging, achieving one-time installation and lifelong use.

## 应用场景:

农业大田灌溉、温室大棚灌溉、沙漠绿化灌溉、工业水处理排放、市政供水、消防供水等。

Agricultural field irrigation, greenhouse irrigation, desert greening irrigation, industrial water treatment and discharge, municipal water supply, consumer water supply, etc.

## 技术数据

- ◆ 口径：3"
- ◆ 控制电压：
  - 1、DC 3-6V 电流：< 1.5A
  - 2、DC 6-12V 电流：< 1.7A 功率 < 3w
- ◆ 经济流量：30-100吨/小时
- ◆ 最小工作压力：0.01Mpa
- ◆ 最大工作压力：1.0Mpa
- ◆ 极限压力：2.5Mpa
- ◆ 安装环境温度：-30 —70
- ◆ 工作介质温度：0.5 —60
- ◆ 阀门工作状态反馈：
  - A：开关信号输出
  - B：流量（频率）压力信号（模拟电压）输出
- ◆ 电器接口：防水接头/两芯22AWG电缆线
- ◆ 防水等级：IP68

## Technical Data

- ◆ Caliber: 3"
- ◆ Control voltage:
  - DC 3-6V current: < 1.5A
  - DC 6-12V current: < 1.5A power: < 3w
- ◆ Economic flow: 70-150 tons/hour
- ◆ Minimum working pressure: 0.03Mpa
- ◆ Maximum working pressure: 1.0Mpa
- ◆ Ultimate pressure: 2.5Mpa
- ◆ Installation environment temperature: -30 -70
- ◆ Working medium temperature: 0.5 -60
- ◆ Feedback on valve working status:
  - Switch signal output
  - Flow (frequency) pressure signal (analog voltage) output
- ◆ Electrical interface: waterproof connector/two core cable.
- ◆ Waterproof rating: IP68

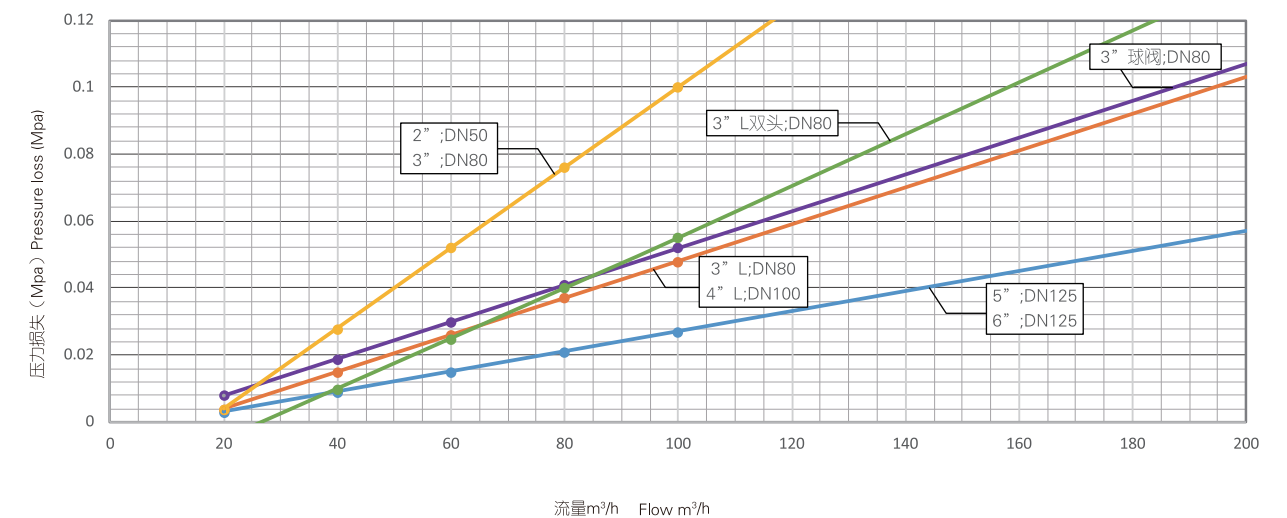
## 主要材质

主阀体：PA6+30%玻璃纤维增强  
球体：黄铜合金  
密封件：聚四氟乙烯

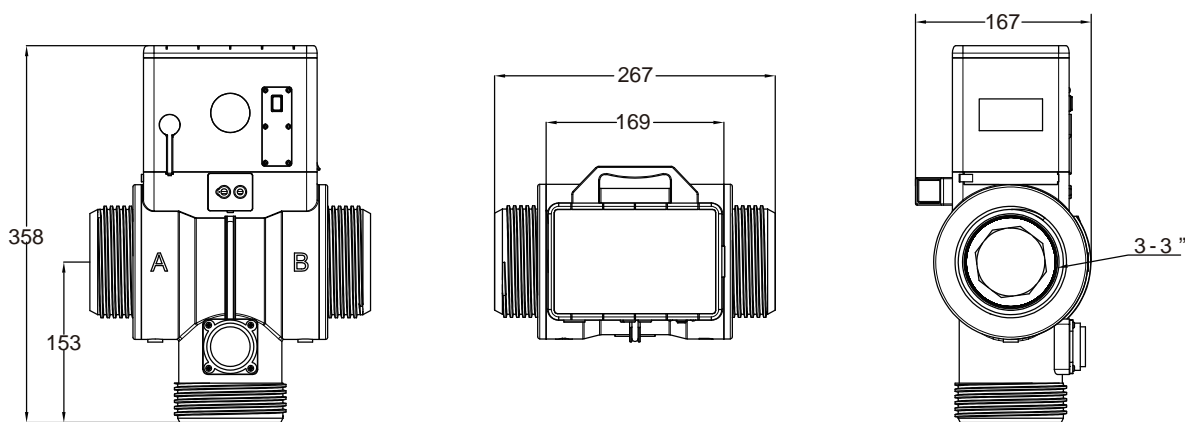
## Main materials:

Main valve body: PA6+30% glass fiber reinforced  
Diaphragm: EPDM rubber+reinforced fiber cloth  
Spring, bolt: stainless steel

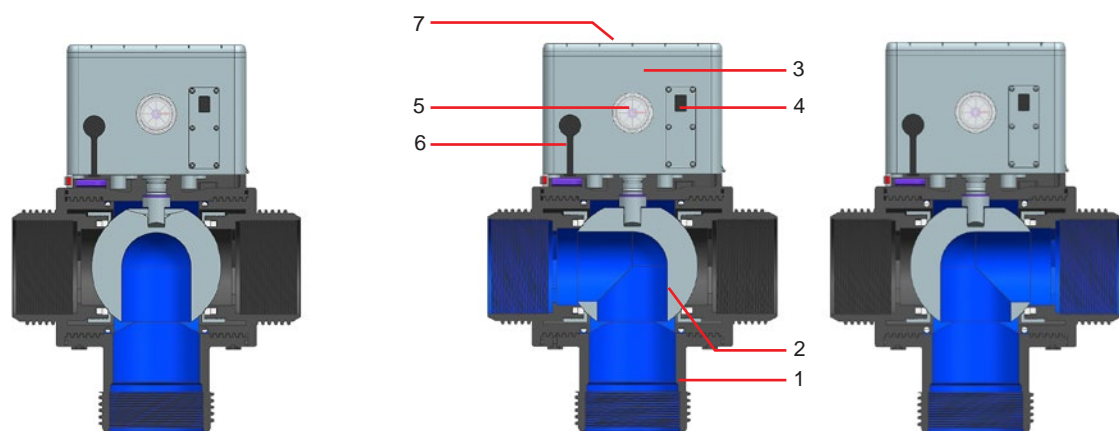
## 流量与压力损失表 Flow and pressure loss meter



## 安装尺寸图 Dimensions and Weights (单位Unit: mm)



## 工作原理图 Operational principle



关闭 Close the valve

开启 Open valve

序号 NO.	名称 Name	材质 Texture of material	序号 NO.	名称 Name	材质 Texture of material
1	阀体 Valve body	PA6+30%玻纤	5	角度显示表 Angle display table	
2	球体 Sphere	POM	6	手摇 Handle	
3	阀控器总成 Valve controller assembly	PCB	7	太阳能板 Solar panels	
4	手动开关 Manual switch	6mm六角扳手			

## PSV-110

本产品主要作为主管道系统中流体的导通和截止，还可以配合调压导阀来实现管道中流体流量、压力的调节，满足不同的使用需求。主材采用尼龙材质，适用于不同应用环境，如野外和室内。工作介质为水和水液混合物。

This product is mainly used for the conduction and shut-off of fluids in the main pipeline system, and can also be used in conjunction with pressure regulating valves to regulate fluid flow and pressure in pipelines, meeting different usage needs. The main material is made of nylon, suitable for different application environments, such as outdoor and indoor. The working medium is a mixture of water and liquid.



### 功能和优点

- ◆ Y型阀全通式流道设计，水损小，过流量大，节约能耗。
- ◆ 内置管路式三通道水力控制，高可靠性，抗堵塞性能优良，无外置管路，耐用度高，内置过滤网容易清洗，保养简单，无易损件。
- ◆ S型阀芯膜片采用EPDM+复合纤维，耐高压性能、耐候性、耐高温老化、耐低温性能均优异。
- ◆ 主材采用PA6+30%增强纤维，耐高压水性能达到2.5Mpa以上，防紫外线和高温暴晒，性能不变。
- ◆ 控制器采用手动/自动两种模式，内置锁死机械，采用微电机齿轮驱动，高可靠性，可拆式防水结构，维护简单方便，使用寿命大大延长，达到10年以上。

### Features and Benefits

1. The Y-shaped valve is designed with a full flow channel, which has low water loss, high flow rate, and saves energy consumption.
2. Built in pipeline type three channel hydraulic control, high reliability, excellent anti clogging performance, no external pipelines, high durability, built-in filter screen easy to clean, simple maintenance, and no vulnerable parts.
3. The S-type valve core diaphragm adopts EPDM+composite fiber, which has excellent high pressure resistance, weather resistance, high temperature aging resistance, and low temperature resistance.
4. The main material is made of PA6+30% reinforced fibers, with a high pressure water resistance of over 2.5Mpa, UV protection and high temperature exposure, and unchanged performance.
5. The controller adopts two modes, manual/automatic, with built-in locking mechanism and micro motor gear drive, high reliability, detachable waterproof structure, simple and convenient maintenance, and greatly extended service life, reaching more than 10 years.

### 应用场景:

农业大田灌溉、温室大棚灌溉、沙漠绿化灌溉、工业水处理排放、市政供水、消防供水等。

Agricultural field irrigation, greenhouse irrigation, desert greening irrigation, industrial water treatment and discharge, municipal water supply, consumer water supply, etc.

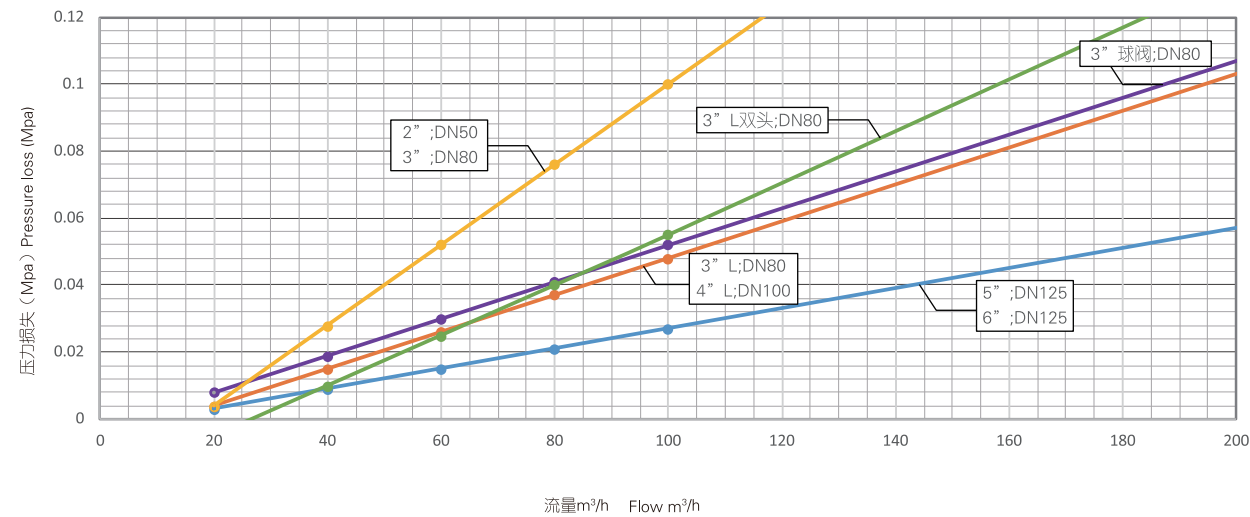


**技术数据**

- ◆ 口径：4"
- ◆ 控制电压：
  - 1、AC/DC 12-24V 电流：< 1A
  - 2、脉冲电压：DC 3-12V  
脉冲宽度：80-200ms  
脉冲电流：1.5A
- ◆ 经济流量：50-100吨/小时
- ◆ 最小工作压力：0.03Mpa
- ◆ 最大工作压力：1.0Mpa
- ◆ 极限压力：2.5Mpa
- ◆ 安装环境温度：-30 —70
- ◆ 工作介质温度：0.5 —60
- ◆ 阀门工作状态反馈：
  - A：开关信号输出
  - B：流量（频率）压力信号（模拟电压）输出
- ◆ 电器接口：防水接头/两芯22AWG电缆线
- ◆ 防水等级：IP68

**主要材质**

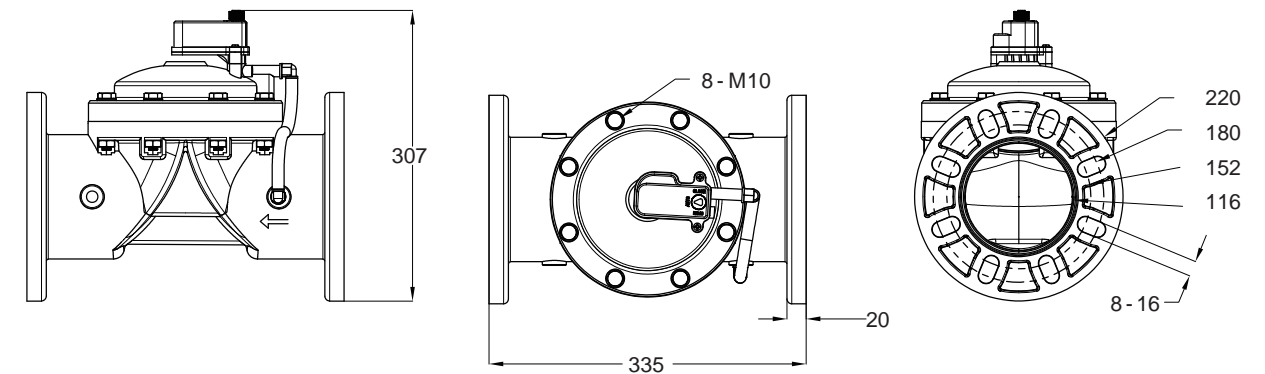
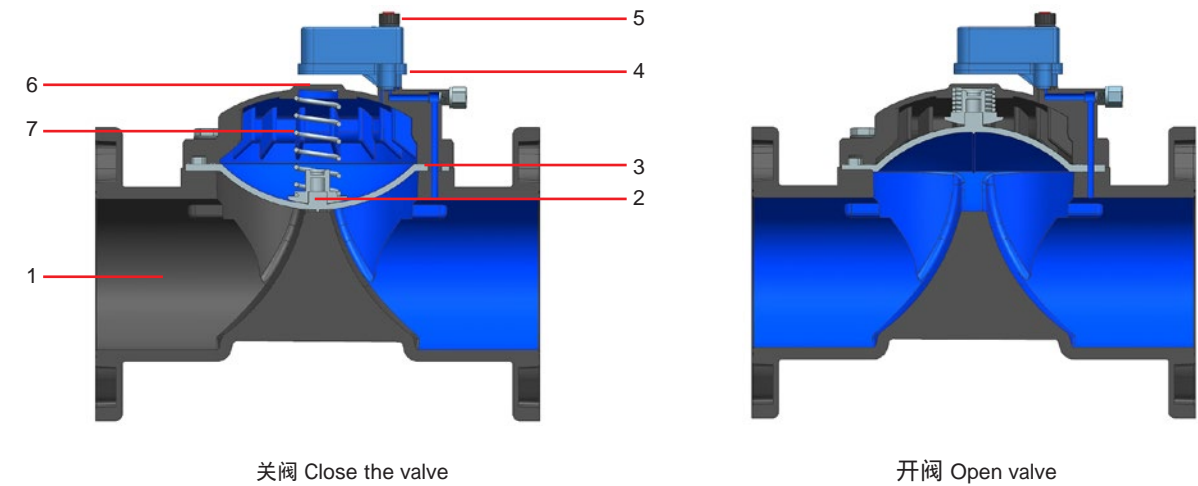
主阀体：PA6+30%玻璃纤维增强  
 隔膜：EPDM橡胶+增强纤维布  
 弹簧、螺栓：不锈钢

**流量与压力损失表 Flow and pressure loss meter**

**Technical Data**

- ◆ Caliber: 4"
- ◆ Control voltage:
  - AC/DC 12-24V current: < 1A
  - Pulse voltage: DC 3-12V  
Pulse width: 300-500ms  
Pulse current: 1.5A
- ◆ Economic flow: 50-100 tons/hour
- ◆ Minimum working pressure: 0.03Mpa
- ◆ Maximum working pressure: 1.0Mpa
- ◆ Ultimate pressure: 2.5Mpa
- ◆ Installation environment temperature: -30 —70
- ◆ Working medium temperature: 0.5 —60
- ◆ Feedback on valve working status:
  - Switch signal output
  - Flow (frequency) pressure signal (analog voltage) output
- ◆ Electrical interface: waterproof connector/two core cable.
- ◆ Waterproof rating: IP68

**Main materials:**

Main valve body: PA6+30% glass fiber reinforced  
 Diaphragm: EPDM rubber+reinforced fiber cloth  
 Spring, bolt: stainless steel

**安装尺寸图 Dimensions and Weights (单位Unit: mm)**

**工作原理图 Operational principle**


序号 NO.	名称 Name	材质 Texture of material	序号 NO.	名称 Name	材质 Texture of material
1	阀体 Valve body	PA6+30%玻纤	4	控制器总成Controller assembly	PA6+30%玻纤
2	阀芯 Spool	PA6+30%玻纤	5	开关按钮 Switch button	PA6+30%玻纤
3	膜片 diaphragm	EPDM橡胶+增强纤维布	6	阀盖 Valve cover	PA6+30%玻纤
			7	弹簧 Spring	304不锈钢 304 Stainless steel

# PSV-110Y

本产品主要作为主管道系统中流体的导通和截止，还可以配合调压导阀来实现管道中流体流量、压力的调节，满足不同的使用需求。主材采用尼龙材质，适用于不同应用环境，如野外和室内。工作介质为水和水液混合物。

This product is mainly used for the conduction and shut-off of fluids in the main pipeline system, and can also be used in conjunction with pressure regulating valves to regulate fluid flow and pressure in pipelines, meeting different usage needs. The main material is made of nylon, suitable for different application environments, such as outdoor and indoor. The working medium is a mixture of water and liquid.



## 功能和优点

- ◆ Y型阀全通式流道设计，水损小，过流量大，节约能耗。
- ◆ 内置管路式三通道水力控制，高可靠性，抗堵塞性能优良，无外置管路，耐用度高，内置过滤网容易清洗，保养简单，无易损件。
- ◆ S型阀芯膜片采用EPDM+复合纤维，耐高压性能、耐候性、耐高温老化、耐低温性能均优异。
- ◆ 主材采用PA6+30%增强纤维，耐高压水性能达到2.5Mpa以上，防紫外线和高温暴晒，性能不变。
- ◆ 控制器采用手动/自动两种模式，内置锁死机械，采用微电机齿轮驱动，高可靠性，可拆式防水结构，维护简单方便，使用寿命大大延长，达到10年以上。

## Features and Benefits

1. The Y-shaped valve is designed with a full flow channel, which has low water loss, high flow rate, and saves energy consumption.
2. Built in pipeline type three channel hydraulic control, high reliability, excellent anti clogging performance, no external pipelines, high durability, built-in filter screen easy to clean, simple maintenance, and no vulnerable parts.
3. The S-type valve core diaphragm adopts EPDM+composite fiber, which has excellent high pressure resistance, weather resistance, high temperature aging resistance, and low temperature resistance.
4. The main material is made of PA6+30% reinforced fibers, with a high pressure water resistance of over 2.5Mpa, UV protection and high temperature exposure, and unchanged performance.
5. The controller adopts two modes, manual/automatic, with built-in locking mechanism and micro motor gear drive, high reliability, detachable waterproof structure, simple and convenient maintenance, and greatly extended service life, reaching more than 10 years.

### 应用场景:

农业大田灌溉、温室大棚灌溉、沙漠绿化灌溉、工业水处理排放、市政供水、消防供水等。

Agricultural field irrigation, greenhouse irrigation, desert greening irrigation, industrial water treatment and discharge, municipal water supply, consumer water supply, etc.

## 技术数据

- ◆ 口径：3"L
- ◆ 控制电压：
  - 1、AC/DC 12-24V 电流：< 1A
  - 2、脉冲电压：DC 3-12V  
脉冲宽度：80-200ms  
脉冲电流：1.5A
- ◆ 经济流量：50-100吨/小时
- ◆ 最小工作压力：0.03Mpa
- ◆ 最大工作压力：1.0Mpa
- ◆ 极限压力：2.5Mpa
- ◆ 安装环境温度：-30 —70
- ◆ 工作介质温度：0.5 —60
- ◆ 阀门工作状态反馈：
  - A：开关信号输出
  - B：流量（频率）压力信号（模拟电压）输出
- ◆ 电器接口：防水接头/两芯22AWG电缆线
- ◆ 防水等级：IP68

## Technical Data

- ◆ Caliber: 3"L
- ◆ Control voltage:
  - AC/DC 12-24V current: < 1A
  - Pulse voltage: DC 3-12V  
Pulse width: 300-500ms  
Pulse current: 1.5A
- ◆ Economic flow: 50-100 tons/hour
- ◆ Minimum working pressure: 0.03Mpa
- ◆ Maximum working pressure: 1.0Mpa
- ◆ Ultimate pressure: 2.5Mpa
- ◆ Installation environment temperature: -30 —70
- ◆ Working medium temperature: 0.5 —60
- ◆ Feedback on valve working status:
  - Switch signal output
  - Flow (frequency) pressure signal (analog voltage) output
- ◆ Electrical interface: waterproof connector/two core cable.
- ◆ Waterproof rating: IP68

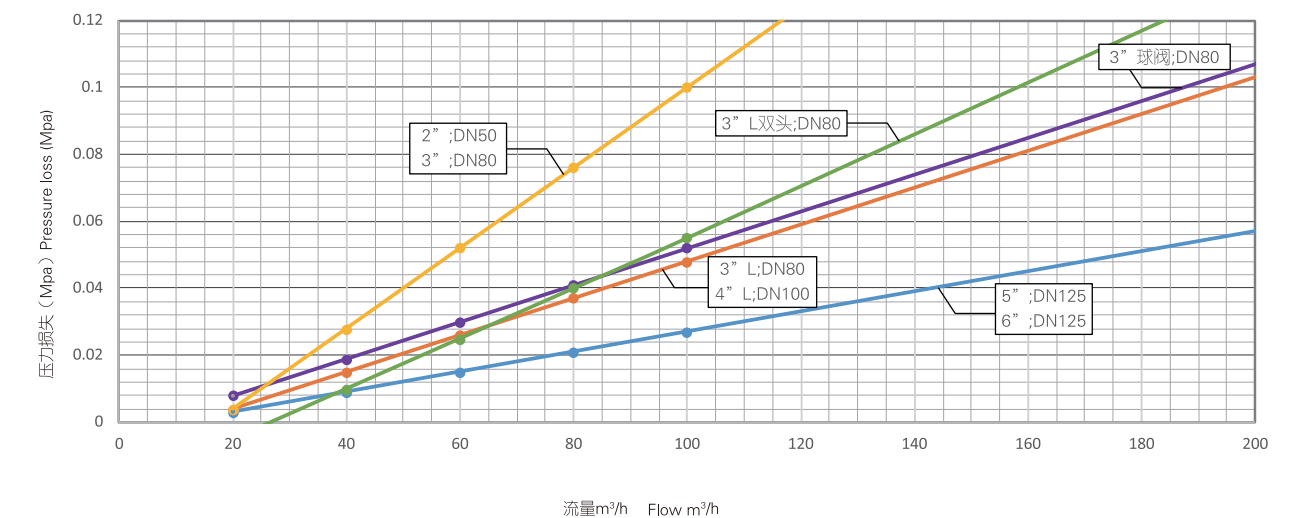
## 主要材质

主阀体：PA6+30%玻璃纤维增强  
隔膜：EPDM橡胶+增强纤维布  
弹簧、螺栓：不锈钢

## Main materials:

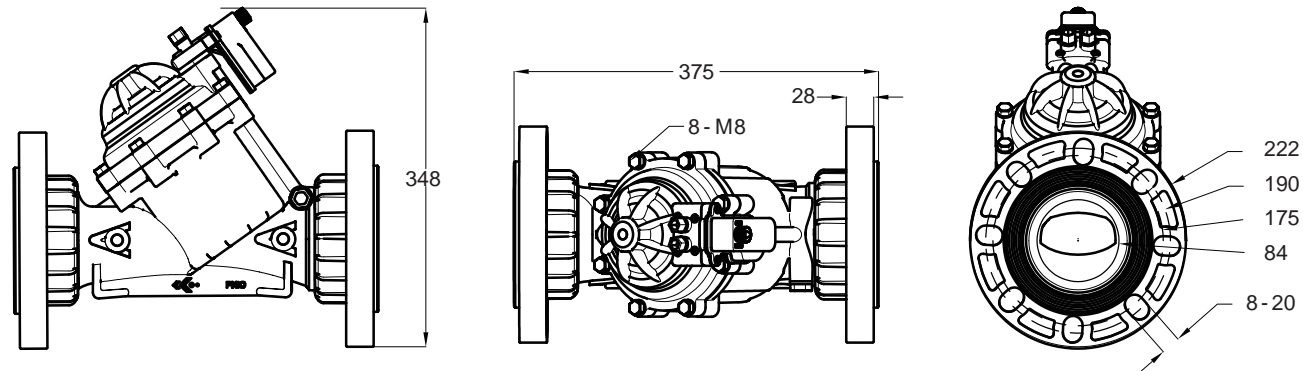
Main valve body: PA6+30% glass fiber reinforced  
Diaphragm: EPDM rubber+reinforced fiber cloth  
Spring, bolt: stainless steel

## 流量与压力损失表 Flow and pressure loss meter

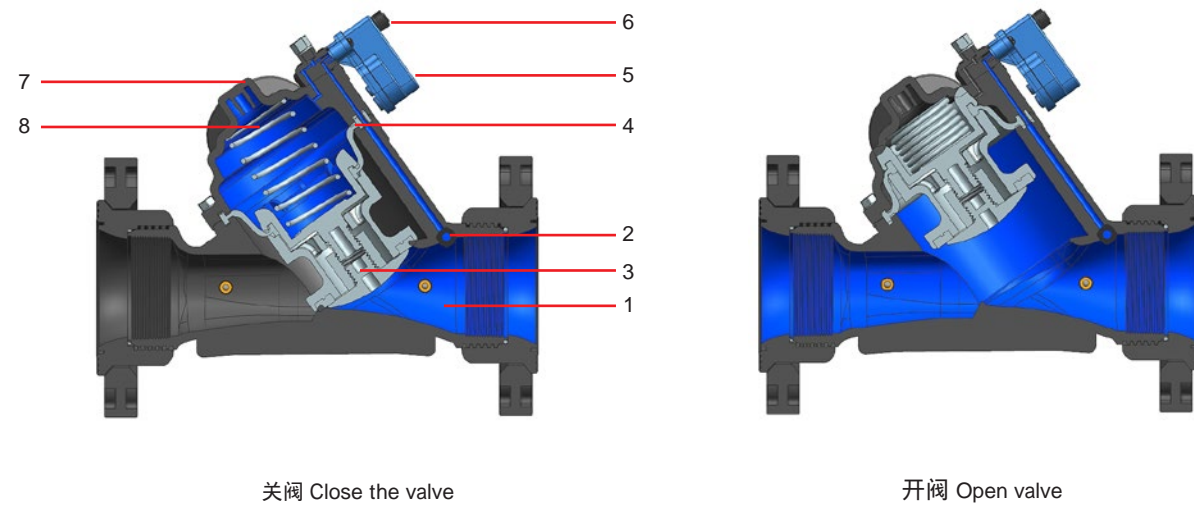




## 安装尺寸图 Dimensions and Weights (单位Unit: mm)



## 工作原理图 Operational principle



关闭 Close the valve

开启 Open valve

序号 NO.	名称 Name	材质 Texture of material	序号 NO.	名称 Name	材质 Texture of material
1	阀体 Valve body	PA6+30%玻纤	5	控制器总成 Controller assembly	PA6+30%玻纤
2	进水过滤网 Inlet filter screen	POM	6	开关按钮 Switch button	PA6+30%玻纤
3	阀芯 Spool	PA6+30%玻纤	7	阀盖 Valve cover	PA6+30%玻纤
4	膜片 diaphragm	EPDM橡胶+增强纤维布	8	弹簧 Spring	304不锈钢 304 Stainless steel

## PSV-140

本产品主要作为主管道系统中流体的导通和截止，还可以配合调压导阀来实现管道中流体流量、压力的调节，满足不同的使用需求。主材采用尼龙材质，适用于不同应用环境，如野外和室内。工作介质为水和水液混合物。

This product is mainly used for the conduction and shut-off of fluids in the main pipeline system, and can also be used in conjunction with pressure regulating valves to regulate fluid flow and pressure in pipelines, meeting different usage needs. The main material is made of nylon, suitable for different application environments, such as outdoor and indoor. The working medium is a mixture of water and liquid.



### 功能和优点

- ◆ Y型阀全通式流道设计，水损小，过流量大，节约能耗。
- ◆ 内置管路式三通道水力控制，高可靠性，抗堵塞性能优良，无外置管路，耐用度高，内置过滤网容易清洗，保养简单，无易损件。
- ◆ S型阀芯膜片采用EPDM+复合纤维，耐高压性能、耐候性、耐高温老化、耐低温性能均优异。
- ◆ 主材采用PA6+30%增强纤维，耐高压水性能达到2.5Mpa以上，防紫外线和高温暴晒，性能不变。
- ◆ 控制器采用手动/自动两种模式，内置锁死机械，采用微电机齿轮驱动，高可靠性，可拆式防水结构，维护简单方便，使用寿命大大延长，达到10年以上。

### Features and Benefits

1. The Y-shaped valve is designed with a full flow channel, which has low water loss, high flow rate, and saves energy consumption.
2. Built in pipeline type three channel hydraulic control, high reliability, excellent anti clogging performance, no external pipelines, high durability, built-in filter screen easy to clean, simple maintenance, and no vulnerable parts.
3. The S-type valve core diaphragm adopts EPMD+composite fiber, which has excellent high pressure resistance, weather resistance, high temperature aging resistance, and low temperature resistance.
4. The main material is made of PA6+30% reinforced fibers, with a high pressure water resistance of over 2.5Mpa, UV protection and high temperature exposure, and unchanged performance.
5. The controller adopts two modes, manual/automatic, with built-in locking mechanism and micro motor gear drive, high reliability, detachable waterproof structure, simple and convenient maintenance, and greatly extended service life, reaching more than 10 years.

### 应用场景:

农业大田灌溉、温室大棚灌溉、沙漠绿化灌溉、工业水处理排放、市政供水、消防供水等。

Agricultural field irrigation, greenhouse irrigation, desert greening irrigation, industrial water treatment and discharge, municipal water supply, consumer water supply, etc.

**技术数据**

- ◆ 口径：5"
- ◆ 控制电压：
  - 1、AC/DC 12-24V 电流：< 1A
  - 2、脉冲电压：DC 3-12V  
脉冲宽度：80-200ms  
脉冲电流：3A
- ◆ 经济流量：80-150吨/小时。
- ◆ 最小工作压力：0.03Mpa
- ◆ 最大工作压力：1.0Mpa
- ◆ 极限压力：2.5Mpa
- ◆ 安装环境温度：-30 —70
- ◆ 工作介质温度：0.5 —60
- ◆ 阀门工作状态反馈：
  - A：开关信号输出
  - B：流量（频率）压力信号（模拟电压）输出
- ◆ 电器接口：防水接头/两芯22AWG电缆线
- ◆ 防水等级：IP68

**主要材质**

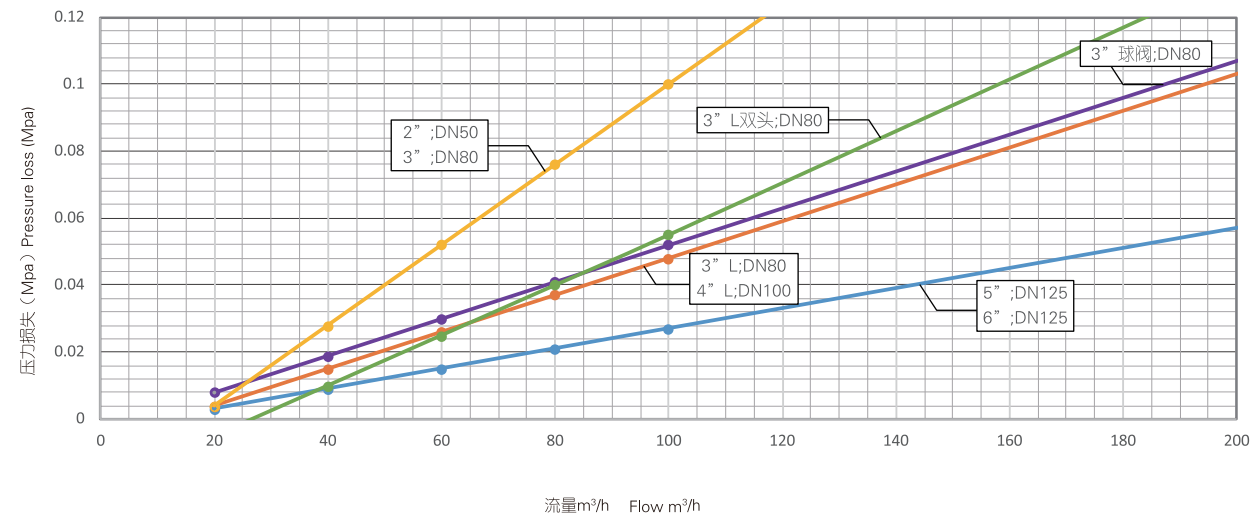
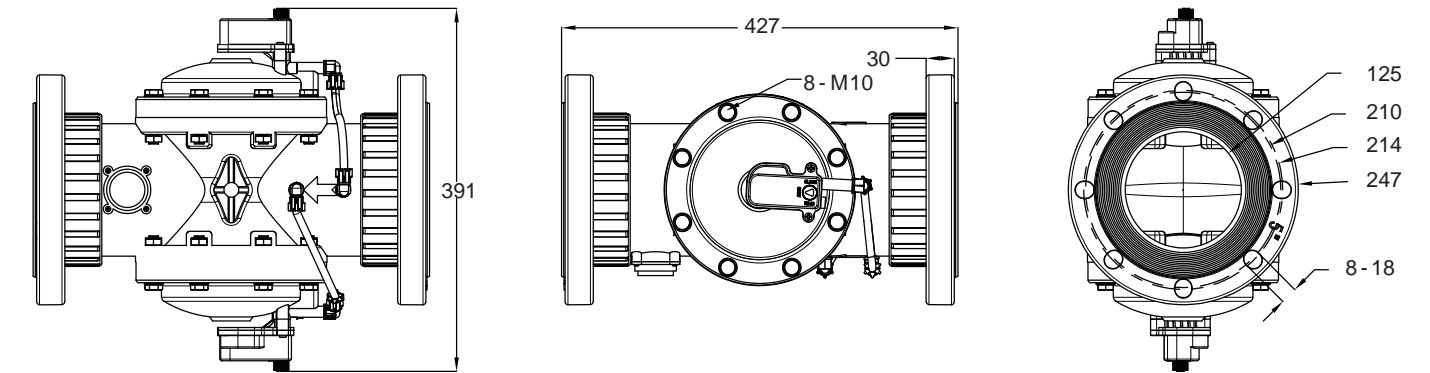
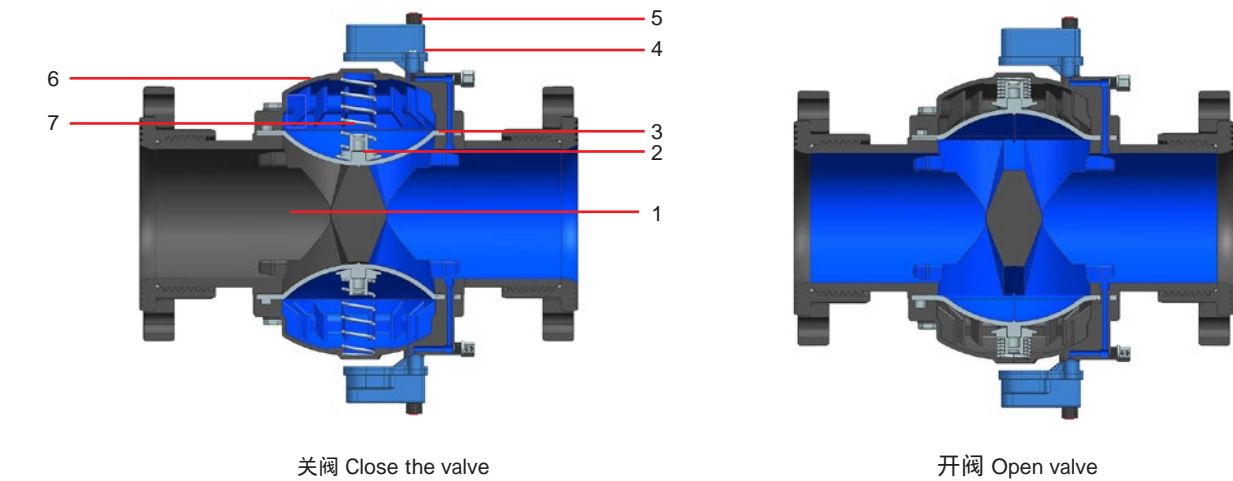
主阀体：PA6+30%玻璃纤维增强  
 隔膜：EPDM橡胶+增强纤维布  
 弹簧、螺栓：不锈钢

**Technical Data**

- ◆ Caliber: 5"
- ◆ Control voltage:
  - AC/DC 12-24V current: < 1A
  - Pulse voltage: DC 3-12V  
Pulse width: 300-500ms  
Pulse current: 3A
- ◆ Economic flow: 80-150 tons/hour.
- ◆ Minimum working pressure: 0.03Mpa
- ◆ Maximum working pressure: 1.0Mpa
- ◆ Ultimate pressure: 2.5Mpa
- ◆ Installation environment temperature: -30 -70
- ◆ Working medium temperature: 0.5 -60
- ◆ Feedback on valve working status:
  - Switch signal output
  - Flow (frequency) pressure signal (analog voltage) output
- ◆ Electrical interface: waterproof connector/two core cable.
- ◆ Waterproof rating: IP68

**Main materials:**

Main valve body: PA6+30% glass fiber reinforced  
 Diaphragm: EPDM rubber+reinforced fiber cloth  
 Spring, bolt: stainless steel

**流量与压力损失表 Flow and pressure loss meter**

**安装尺寸图 Dimensions and Weights (单位Unit: mm)**

**工作原理图 Operational principle**


序号 NO.	名称 Name	材质 Texture of material	序号 NO.	名称 Name	材质 Texture of material
1	阀体 Valve body	PA6+30%玻纤	4	控制器总成Controller assembly	PA6+30%玻纤
2	阀芯 Spool	PA6+30%玻纤	5	开关按钮 Switch button	PA6+30%玻纤
3	膜片 diaphragm	EPDM橡胶+增强纤维布	6	阀盖 Valve cover	PA6+30%玻纤
			7	弹簧 Spring	304不锈钢 304 Stainless steel



# PSV-160

本产品主要作为主管道系统中流体的导通和截止，还可以配合调压导阀来实现管道中流体流量、压力的调节，满足不同的使用需求。主材采用尼龙材质，适用于不同应用环境，如野外和室内。工作介质为水和水液混合物。

This product is mainly used for the conduction and shut-off of fluids in the main pipeline system, and can also be used in conjunction with pressure regulating valves to regulate fluid flow and pressure in pipelines, meeting different usage needs. The main material is made of nylon, suitable for different application environments, such as outdoor and indoor. The working medium is a mixture of water and liquid.



## 功能和优点

- ◆ Y型阀全通式流道设计，水损小，过流量大，节约能耗。
- ◆ 内置管路式三通道水力控制，高可靠性，抗堵塞性能优良，无外置管路，耐用度高，内置过滤网容易清洗，保养简单，无易损件。
- ◆ S型阀芯膜片采用EPDM+复合纤维，耐高压性能、耐候性、耐高温老化、耐低温性能均优异。
- ◆ 主材采用PA6+30%增强纤维，耐高压水性能达到2.5Mpa以上，防紫外线和高温暴晒，性能不变。
- ◆ 控制器采用手动/自动两种模式，内置锁死机械，采用微电机齿轮驱动，高可靠性，可拆式防水结构，维护简单方便，使用寿命大大延长，达到10年以上。

## Features and Benefits

1. The Y-shaped valve is designed with a full flow channel, which has low water loss, high flow rate, and saves energy consumption.
2. Built in pipeline type three channel hydraulic control, high reliability, excellent anti clogging performance, no external pipelines, high durability, built-in filter screen easy to clean, simple maintenance, and no vulnerable parts.
3. The S-type valve core diaphragm adopts EPDM+composite fiber, which has excellent high pressure resistance, weather resistance, high temperature aging resistance, and low temperature resistance.
4. The main material is made of PA6+30% reinforced fibers, with a high pressure water resistance of over 2.5Mpa, UV protection and high temperature exposure, and unchanged performance.
5. The controller adopts two modes, manual/automatic, with built-in locking mechanism and micro motor gear drive, high reliability, detachable waterproof structure, simple and convenient maintenance, and greatly extended service life, reaching more than 10 years.

## 应用场景:

农业大田灌溉、温室大棚灌溉、沙漠绿化灌溉、工业水处理排放、市政供水、消防供水等。

Agricultural field irrigation, greenhouse irrigation, desert greening irrigation, industrial water treatment and discharge, municipal water supply, consumer water supply, etc.

## 技术数据

- ◆ 口径：6"
- ◆ 控制电压：
  - 1、AC/DC 12-24V 电流：< 1A
  - 2、脉冲电压：DC 3-12V  
脉冲宽度：80-200ms  
脉冲电流：3A
- ◆ 经济流量：80-200吨/小时。
- ◆ 最小工作压力：0.03Mpa
- ◆ 最大工作压力：1.0Mpa
- ◆ 极限压力：2.5Mpa
- ◆ 安装环境温度：-30 —70
- ◆ 工作介质温度：0.5 —60
- ◆ 阀门工作状态反馈：
  - A：开关信号输出
  - B：流量（频率）压力信号（模拟电压）输出
- ◆ 电器接口：防水接头/两芯22AWG电缆线
- ◆ 防水等级：IP68

## 主要材质

主阀体：PA6+30%玻璃纤维增强  
隔膜：EPDM橡胶+增强纤维布

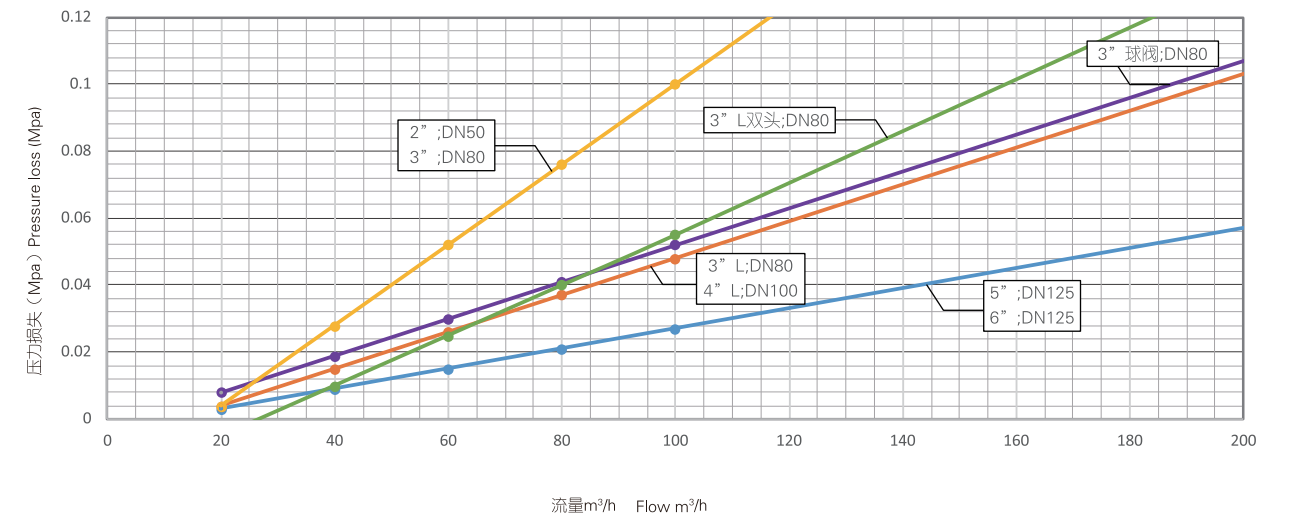
## Technical Data

- ◆ Caliber: 6"
- ◆ Control voltage:
  - AC/DC 12-24V current: < 1A
  - Pulse voltage: DC 3-12V  
Pulse width: 300-500ms  
Pulse current: 1.5A
- ◆ Economic flow: 80-200 tons/hour.
- ◆ Minimum working pressure: 0.03Mpa
- ◆ Maximum working pressure: 1.0Mpa
- ◆ Ultimate pressure: 2.5Mpa
- ◆ Installation environment temperature: -30 - 70
- ◆ Working medium temperature: 0.5 - 60
- ◆ Feedback on valve working status:
  - Switch signal output
  - Flow (frequency) pressure signal (analog voltage) output
- ◆ Electrical interface: waterproof connector/two core cable.
- ◆ Waterproof rating: IP68

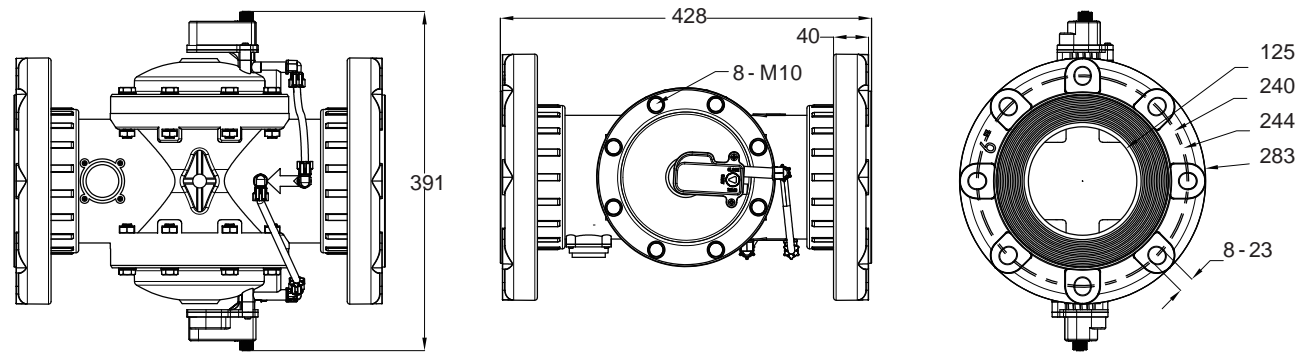
## Main materials:

Main valve body: PA6+30% glass fiber reinforced  
Diaphragm: EPDM rubber+reinforced fiber cloth  
Spring, bolt: stainless steel

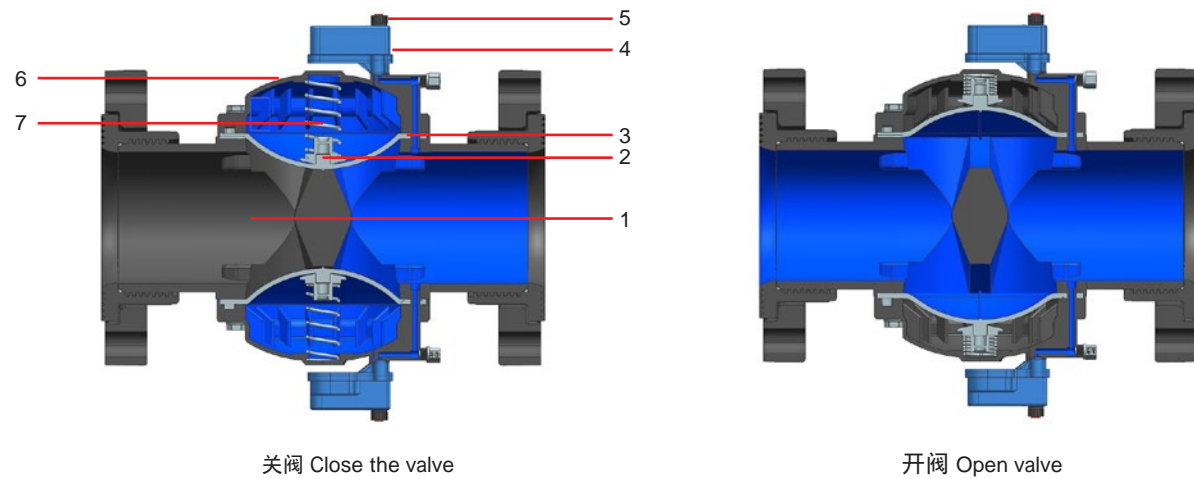
## 流量与压力损失表 Flow and pressure loss meter



## 安装尺寸图 Dimensions and Weights (单位Unit: mm)



## 工作原理图 Operational principle



序号 NO.	名称 Name	材质 Texture of material	序号 NO.	名称 Name	材质 Texture of material
1	阀体 Valve body	PA6+30%玻纤	4	控制器总成 Controller assembly	PA6+30%玻纤
2	阀芯 Spool	PA6+30%玻纤	5	开关按钮 Switch button	PA6+30%玻纤
3	膜片 diaphragm	EPDM橡胶+增强纤维布	6	阀盖 Valve cover	PA6+30%玻纤
			7	弹簧 Spring	304不锈钢 304 Stainless steel

# SVC1200

SVC1200系列无线智能阀门控制器是智慧农业、高标农田灌溉系统中的一款复合型阀控产品，将外壳、4G通讯、电池、太阳能供电集成为一体，支持多种阀门控制，用于农业自动化灌溉系统中，具有低时延、低功耗、多复合、准状态等优点。

The SVC1200 series production line intelligent valve controller is a composite valve control product in smart agriculture and standard agricultural irrigation systems. It integrates the shell, 4G communication, battery, and solar power supply into the body, and supports multiple valve controls. It is suitable for agricultural automated irrigation systems and has advantages such as low latency, low power consumption, multi compound, and quasi state.

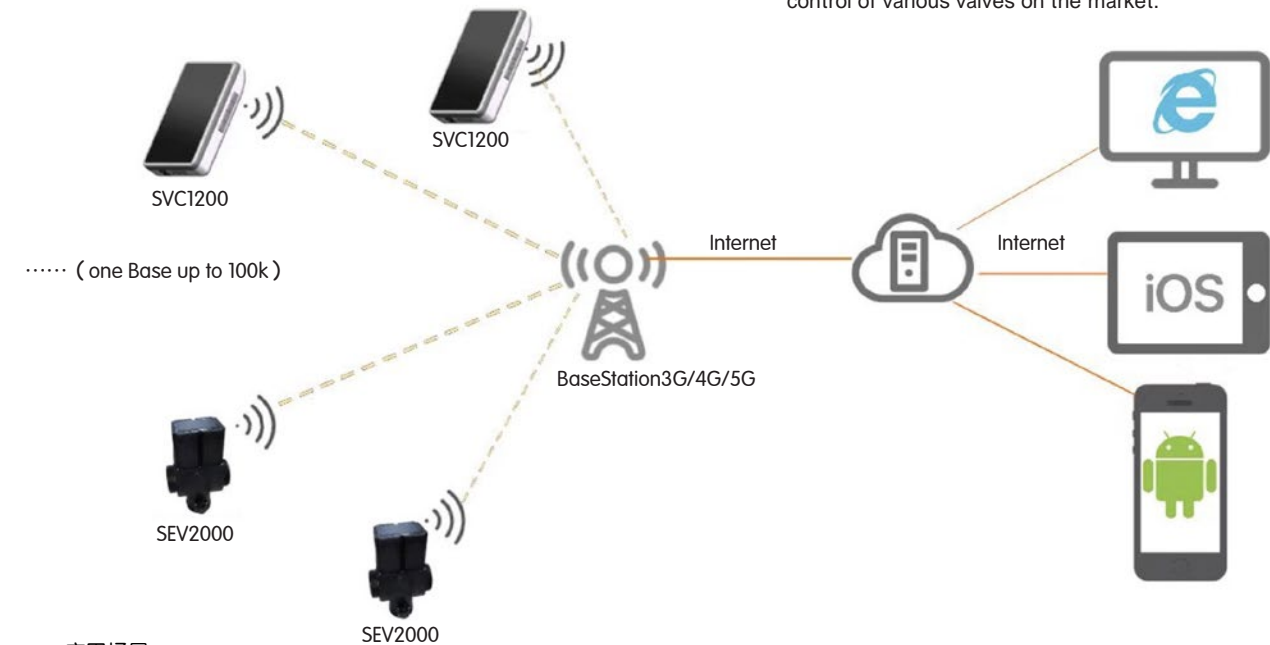


### 功能和优点

- ◆ 采用2/3/4/5G通讯，通过接收手机端或电脑端的控制命令，执行相应的控阀输出策略，同时采集阀门实时状态，并触发上报。
- ◆ 支持脉冲阀、电磁阀、电动阀、电动蝶阀、双边电动球阀等控制，采用3.7V/12V两种电压等级进行阀门控制，适应市面上各类阀门的控制。

### Features and Benefits

1. Adopt 2/3/4/5G communication, receive control commands from the client or computer, execute corresponding control valve output strategies, collect real-time valve status, and trigger reporting.
2. Control pulse valves, solenoid valves, electric valves, electric butterfly valves, double-sided electric ball valves, etc., using two voltage levels of 3.7V/12V to control the inlet valve, adapting to the control of various valves on the market.



#### 应用场景:

农业大田灌溉、温室大棚灌溉、沙漠绿化灌溉、工业水处理排放、市政供水、消防供水等。

Agricultural field irrigation, greenhouse irrigation, desert greening irrigation, industrial water treatment and discharge, municipal water supply, consumer water supply, etc.



### SVC1200系列无线智能阀门控制器功能特点:

- ◆ 外部16/128MB Flash存储空间
- ◆ 采用4G无线通讯技术,方便快速上手
- ◆ 使用系统硬件看门狗设计,稳定可靠
- ◆ 内置2节(可再扩展1节)18650充电电池3.7V@6Ah,方便快速更换;
- ◆ 自带5V@2.5W太阳能充电板;
- ◆ IP67防水等级
- ◆ 2路阀门控制,支持脉冲阀、电磁阀、电动阀、电动蝶阀;支持1路
- ◆ 电动双边阀门控制
- ◆ 支持本地手动控制
- ◆ 支持实时状态反馈,采集流量压力传感数据
- ◆ 支持标准MQTT协议,支持多平台接力
- ◆ 移动端+PC端远程控制

### 技术参数

电源	3.7VDC@6Ah(扩展+3Ah)
功耗	休眠功耗:3.7v@6uA;满电可以持续运行3年以上 灌溉期功耗:3.7V@3mA;满电可以持续运行2个月以上
工作环境	-30 ~70 , 5%RH~95%RH
电磁干扰	E2级
防水等级	IP67
数据储存	采用16MB外部存储器存储数据,断电不丢数
控制接口	2路控制接口P1/P2,3.7v/12v@2A输出,每路支持至少3个10状态
手动控制	4个按键,对阀门进行手动控制,同时具备开关机功能
采集接口	流量压力传感器采集接口P3,一路模拟量采集 0-2.5v,2路数字脉冲采集(或10状态)
4G	LTE CAT1
协议	标准MQTTV3.1.1,自定义TOPIC+LTCMD接口,方便快捷接入软件平台
尺寸	165*111*35mm
重量	300g

### Technical Data

- ◆ External 16/128MB Flash storage space
- ◆ By adopting 4G wireless communication technology, users can quickly get started
- ◆ Designed with system hardware watchdog, stable and reliable
- ◆ Built in 2 (expandable 1 more) 18650 rechargeable batteries 3.7V@6Ah , convenient and quick replacement;
- ◆ Comes with 5V@2.5W Solar charging panel;
- ◆ IP67 waterproof rating
- ◆ 2 - way valve control, supporting pulse valves, solenoid valves, electric valves, and electric butterfly valves; Supports 1 channel
- ◆ Electric bilateral valve control
- ◆ Support local manual control
- ◆ Support real - time status feedback and collect flow and pressure sensing data
- ◆ Supports standard MQTT protocol and supports multi platform relay
- ◆ Mobile+PC remote control

### Technical parameter

source	3.7VDC@6Ah (Expansion+3Ah)
power dissipation	Sleep power consumption: 3.7v@6uA ; Power consumption during irrigation period: 3.7V@3mA ; Can run continuously for more than 2 months at full charge
work environment	-30 ~70 , 5% RH~95% RH
electromagnetic interference	E2 level
Waterproof level	Using 16MB external memory to store data, no data loss during power outage
Data storage	2 - way control interface P1/P2,3.7v/12v@2A Output, supporting at least 3 10 states per channel
control interface	4 buttons for manual control of valves, with on/off function
manual control	Flow pressure sensor acquisition interface P3, one analog signal acquisition (or 10 status)
Collection interface	LTE CAT1
4G	Standard MQTTV3.1.1, custom TOPIC+LTCMD interface for easy and fast access to software platform
protocol	
size	165*111*35mm
weight	300g

### 接口定义 Interface Definition

控制接口P1 - 6PIN接线定义: Control pin P1 - 6PIN wiring definition:

类型/颜色 Type/Color	红Red	黑Black	蓝Blue	绿Green	黄Yellow	白White
单阀 Single valve	M+	M -	开Open	关ON	信号GND	接线状态 Wiring status
双边电动阀 Bilateral electric valve	M+	M -	A开 ( A Open )	B开 ( B Open )	信号GND	全关 All ON

控制接口P1 - 8PIN接线定义: (复用) Control pin P1 - 8PIN wiring definition: (multiplexing)

类型/颜色 Type/Color	红Red	黑Black	蓝Blue	绿Green	棕Brown	黄Yellow	白White	粉Powder
单阀 Single valve	M+	M -	开Open	关ON	NC	信号GND	接线状态 Wiring status	NC
双边电动阀 Bilateral electric valve	M+	M -	A开 ( A Open )	B开 ( B Open )	全开 ( All ON )	信号GND	全关 All ON	接线状态 Wiring status

控制接口P2 - 6PIN接线定义: (选配) Control pin P2 - 6PIN wiring definition: (Optional configuration)

类型/颜色 Type/Color	红Red	黑Black	蓝Blue	绿Green	黄Yellow	白White
单阀 Single valve	M+	M -	开Open	关ON	信号GND	接线状态 Wiring status
双边电动阀 Bilateral electric valve	M+	M -	A开 ( A Open )	B开 ( B Open )	信号GND	全关 All ON

控制接口P2 - 6PIN接线定义: (选配) (复用) Control pin P2 - 6PIN wiring definition: (Optional configuration) (multiplexing)

类型/颜色 Type/Color	红Red	黑Black	蓝Blue	绿Green	黄Yellow	白White
单阀 Single valve	VCC	GND	压力Pressure	流量Flow	VIN	接线状态 Wiring status
Analog/12 开度传感器	VCC	GND	开度Opening degree	12C		12C

控制接口P3 - 6PIN接线定义: (选配) (复用) Control pin P3 - 6PIN wiring definition: (Optional configuration) (multiplexing)

类型/颜色 Type/Color	红Red	黑Black	蓝Blue	绿Green	黄Yellow	白White
流量压力 Flow pressure	VCC	GND	压力Pressure	流量Flow	VIN	接线状态 Wiring status
Analog/12 开度传感器	VCC	GND	开度Opening degree	12C		12C

### 按键功能 Key functions

控制接口P2-6PIN接线定义：(选配) Control pin P2-6PIN wiring definition: (Optional configuration)

类型/颜色 Type/Color	A	B	C	D	备注Remarks
单阀 Single valve	A开 A Open	A关 A ON	B开 B Open	B关 B ON	长按4s以上, 并听到蜂鸣器响即成功 Press and hold for more than 4 seconds, and hear the buzzer sound to indicate success
双边电动阀 Bilateral electric valve	A开 A Open	B开 B Open	关 ON	全开 All Open	

工作模式选择：

开机：长按A和D保持4s以上，听到喇叭声响即为成功，设备立即进入工作模式

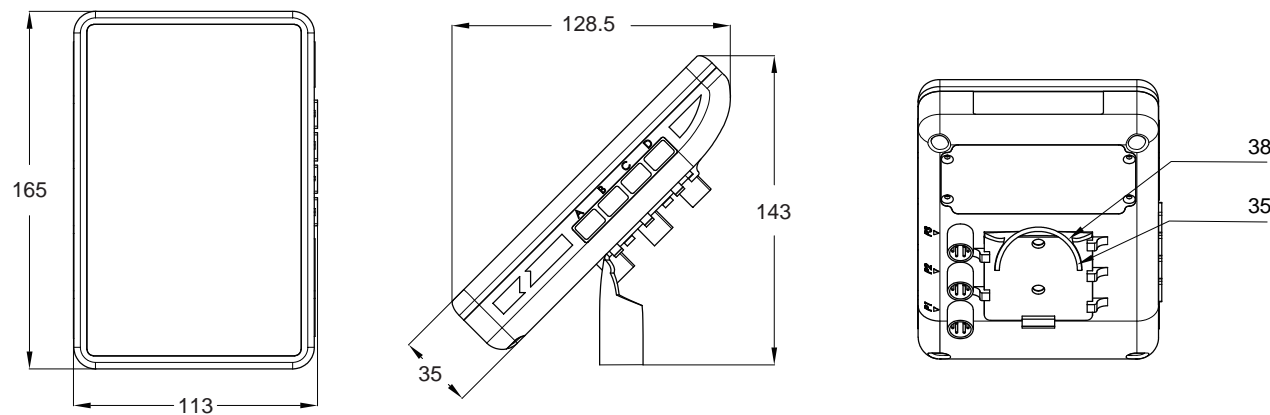
关机：长按A和B保持4s以上，听到喇叭声响即为成功，设备立即进入休眠模式

Work mode selection:

Power on: Press and hold A and D for more than 4 seconds, and the sound of the horn is considered successful. The device will enter manual operation mode immediately

Shutdown: Press and hold A and B for more than 4 seconds, and hearing the horn sound is considered successful. The device will enter sleep mode immediately

### 安装尺寸图 Dimensions and Weights

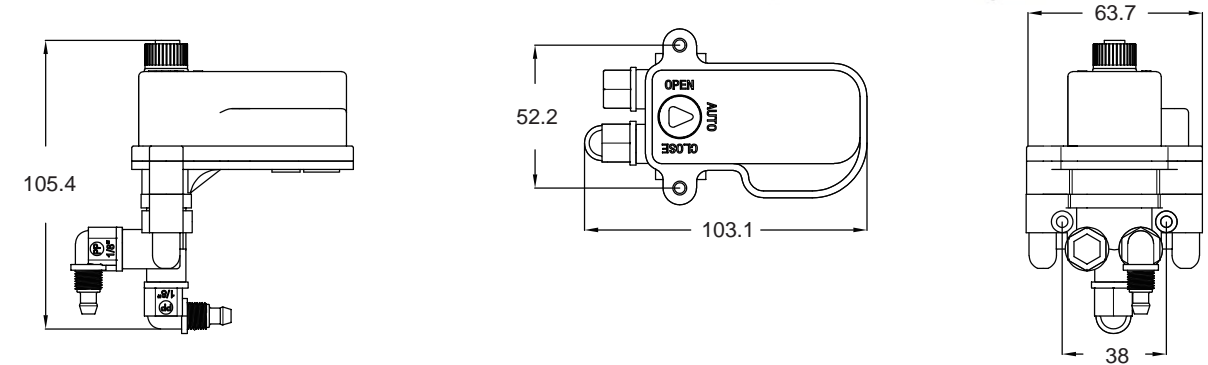


## 三通道阀门控制器

Three channel valve controller



安装尺寸图 Dimensions and Weights (单位Unit: mm)



### 技术参数 Technical Parameter

序号 NO.	项目 Project	条件、参数 Conditions and parameters
1	控制电压 Control voltage	正负脉冲电压DC12-24 V Positive and negative pulse voltage DC12-24 V
2	控制电流 Control current	正负脉冲电流0.3-1A Positive and negative pulse current 0.3-1A
3	输入脉冲宽度 Input pulse width	80-200ms
4	工作水压 Working water pressure	0.04MPa~1Mpa
5	工作环境温度 Working environment temperature	-40 -75
6	防水等级 Waterproof grade	IP68
7	寿命 life	10万次 100000 times
8	工作介质 Working medium	水(含杂质的最大颗粒不超过0.25mm) Water (maximum particle size with impurities not exceeding 0.25mm)
9	电源线规格 Power cord specifications	连接器型号:CDF-200, 长度2.2米 Connector model: CDF-200, length 2.2 meters



## 使用方法 Usage method

### 自动模式下使用方法 Usage in automatic mode

1. 首先手动旋钮红色箭头应指向AUTO Firstly, the red arrow on the manual knob should point to AUTO

2. 输入控制信号 Input control signals

控制方式 Control mode	手动旋钮位置 Manual twist position	状态 State	受控阀门状态 Controlled valve status
红线接正脉冲 Red line connected to positive pulse	AUTO	A - COM 关闭 (Close)	阀门打开
黑线接负 Black wire connected to negative		COM - B 打开 (Open)	Valve open
红线接负 Red line connected to negative	AUTO	A - COM 打开 (Open)	阀门关闭
黑线接正脉冲 Black wire connected to positive puls		COM - B 关闭 (Close)	Valve closed

### 手动模式下使用方法 Usage in manual mode

手动旋钮位置 Manual twist position	状态 State	受控阀门状态 Controlled valve status
OPEN(打开)	A - COM 关闭 (Close)	阀门打开
	COM - B 打开 (Open)	Valve open
CLOSE(关闭)	A - COM 打开 (Open)	阀门关闭
	COM - B 关闭 (Close)	Valve closed

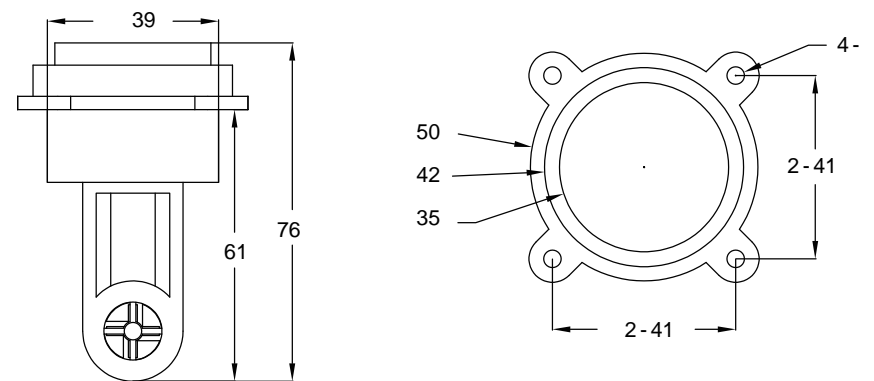
注意事项：当手动旋钮红色箭头恢复到自动位置 (AUTO) 时，控制器会恢复到最后一次电控位置。  
Attention: When the red arrow on the manual knob returns to the automatic position (AUTO), the controller will return to the last electronic control position.

## 压力流量传感器

Pressure flow sensor



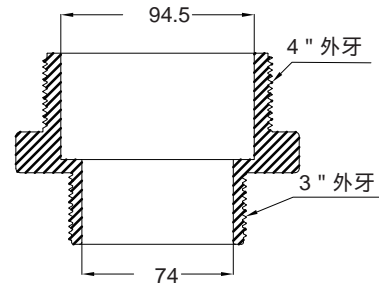
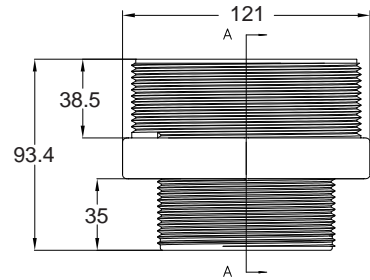
安装尺寸图 Dimensions and Weights (单位Unit: mm)



工作条件及基本参数 Working conditions and basic parameters

序号 NO.	项目 Project	条件、参数 Conditions and parameters
1	输入电压 Input voltage	DC3.3v - 5V
2	流量 输入电流 Input current	<3 μ A
3	输出信号 Output signal	连续频率输出，矩形方波，脉冲信号。幅值为3-5V Continuous frequency output, rectangular square wave, pulse signal. The amplitude is 3-5V
4	输入电压 Input voltage	DC3.3V - 5V
5	压力 输入电流 Input current	8 - 10mA
6	输出信号 Output signal	模拟电压输出，范围0-3V输出。对应水压为0-0.6MPA Analog voltage output, with a range of 0-3V output. Corresponding water pressure is 0-0.6MPA
7	流量特性 Traffic characteristics	不同的口径有不同的流量系数 Different calibers have different flow coefficients
8	水压公式 Water pressure formula	输出电压值(V) × 0.2 Mpa = 被测管道压力值 Output voltage value (V) × 0.2 Mpa = measured pipeline pressure value
9	流量公式 Flow formula	频率 × N(系数) × 1吨 = 被测管道流量 Frequency × N (coefficient) × 1 ton = measured pipeline flow rate
10	压力量程 Pressure range	0 - 1MPA

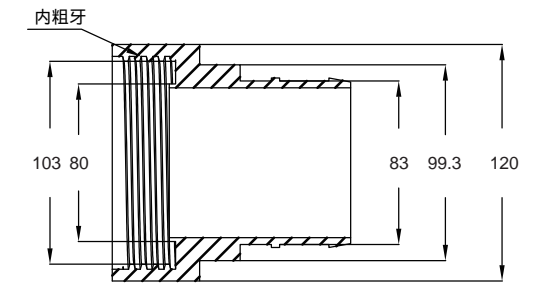
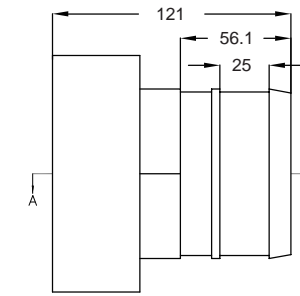
安装尺寸图 Dimensions and Weights (单位Unit: mm)



截面A-A

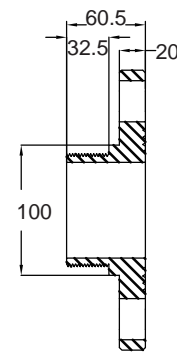
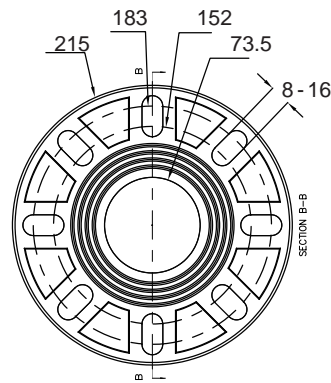
90mm转110mm双外牙转换接头  
90mm to 110mm double external  
tooth conversion joint

安装尺寸图 Dimensions and Weights (单位Unit: mm)

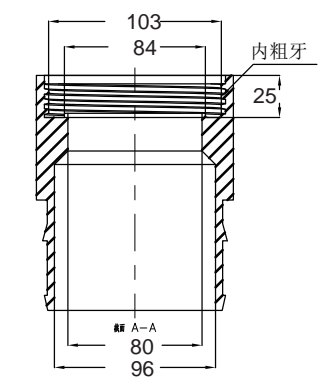
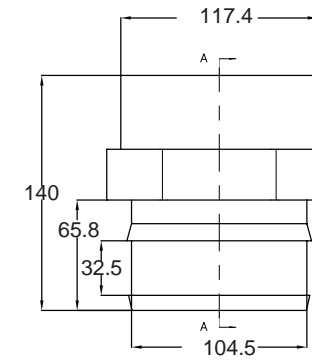


截面

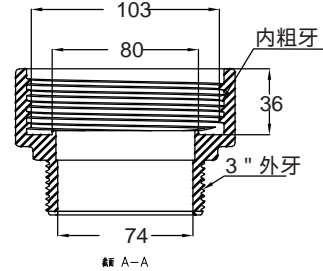
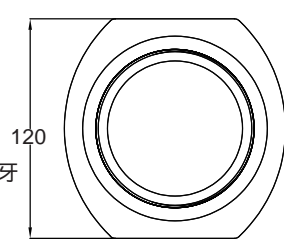
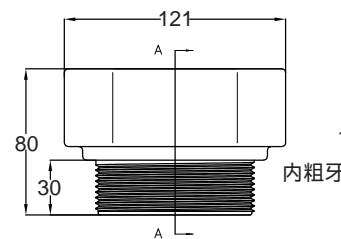
90mm承插接头  
90mm socket joint



90mm外牙转110mm法兰转换接头  
90mm external tooth to 110mm  
flange adapter

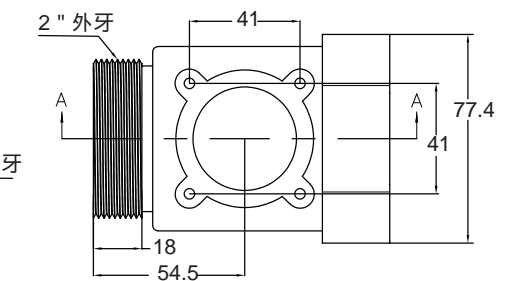
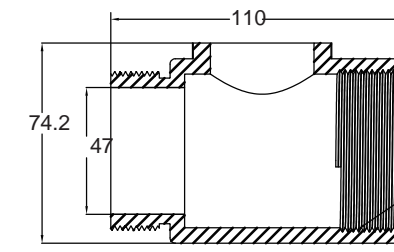


110mm承插接头  
110mm socket joint



截面A-A

90mm外牙转内牙接头  
90mm external tooth to internal  
tooth joint

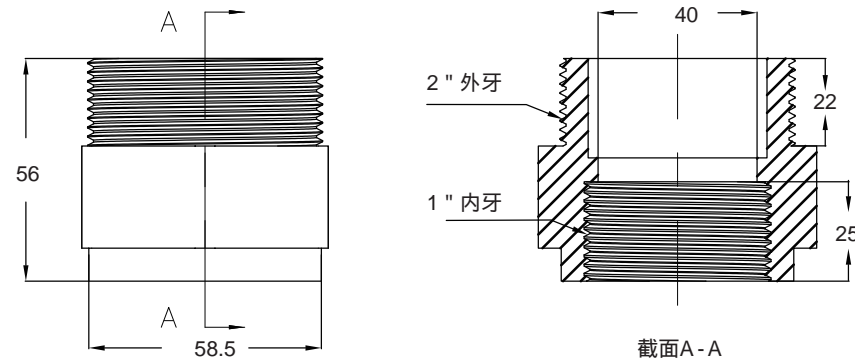


截面

2" 压力流量传感器  
2" Pressure flow sensor



安装尺寸图 Dimensions and Weights (单位Unit: mm)



安装尺寸图 Dimensions and Weights (单位Unit: mm)

